

door mounted rotary operator standard IEC IP65 with door interlock accessory for: 3VA15/25/26




| Model                    |   |                   |
|--------------------------|---|-------------------|
| product brand name       | SETRON                                    |                   |
| product designation      | door-coupling rotary operating mechanism  |                   |
| accessories              | Door-coupling rotary operating mechanisms |                   |
| General technical data   |   |                   |
| protection class IP      | IP65                                      |                   |
| Mechanical Design        |   |                   |
| Net Weight               | 3.813 kg                                  |                   |
| Certificates             |   |                   |
| General Product Approval | EMV                                       | Test Certificates |



[Miscellaneous](#)

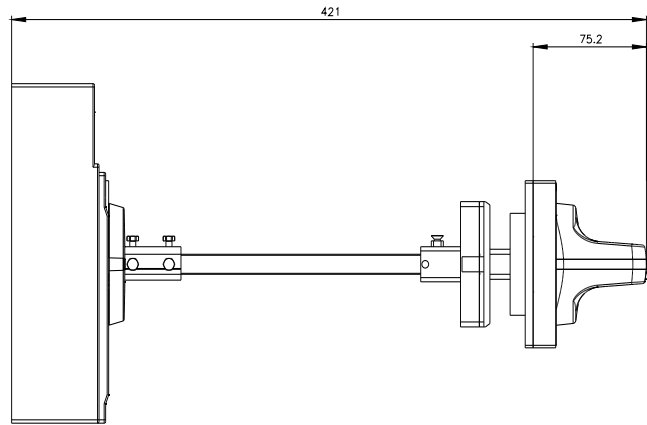
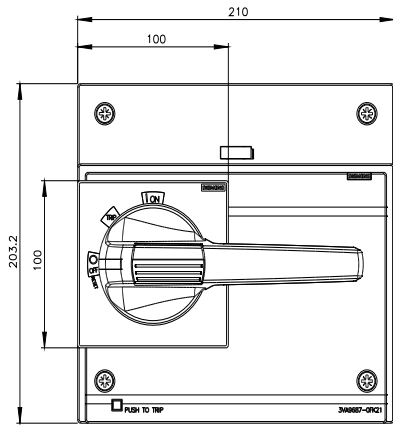


[Type Test Certificates/Test Report](#)

| Maritime application  | other                        | Environment                   |   |   |
|---|------------------------------|-------------------------------|---|---|
|  | <a href="#">Confirmation</a> | <a href="#">Miscellaneous</a> | <a href="#">Environmental Confirmations</a> | <a href="#">Environmental Confirmations</a> |

### Further information

- Information on the packaging  
<https://support.industry.siemens.com/cs/ww/en/view/109813875>
- Information for data generation and storage  
<https://support.industry.siemens.com/cs/ww/en/view/109995012>
- Information- and Downloadcenter (Catalogs, Brochures,...)  
<https://www.siemens.com/lowvoltage/catalogs>
- Industry Mall (Online ordering system)  
<https://mall.industry.siemens.com/mall/en/en/Catalog/product?mlfb=3VA9687-0FK21>
- Service&Support (Manuals, Certificates, Characteristics, FAQs,...)  
<https://support.industry.siemens.com/cs/ww/en/ps/3VA9687-0FK21>
- Image database (product images, 2D dimension drawings, 3D models, device circuit diagrams, ...)  
[https://www.automation.siemens.com/bilddb/cax\\_en.aspx?mlfb=3VA9687-0FK21](https://www.automation.siemens.com/bilddb/cax_en.aspx?mlfb=3VA9687-0FK21)
- CAx-Online-Generator  
<https://www.siemens.com/cax>
- Tender specifications  
<https://www.siemens.com/specifications>



---

last modified:

4/3/2025 

