

door mounted rotary operator EMERGENCY OFF IEC IP65 with door interlock accessory for: 3VA15/25/26



Model		
product brand name	SETRON	
product designation	door-coupling rotary operating mechanism	
accessories	Door-coupling rotary operating mechanisms	
General technical data		
protection class IP	IP65	
Mechanical Design		
Net Weight	3.883 kg	
Certificates		
General Product Approval	EMV	Test Certificates



EG-Konf.



[Miscellaneous](#)



[Type Test Certificates/Test Report](#)

Maritime application	other	Environment
----------------------	-------	-------------



LRS

[Confirmation](#)

[Miscellaneous](#)

[Environmental Confirmations](#)

[Environmental Confirmations](#)

Further information

Information on the packaging

<https://support.industry.siemens.com/cs/ww/en/view/109813875>

Information for data generation and storage

<https://support.industry.siemens.com/cs/ww/en/view/109995012>

Information- and Downloadcenter (Catalogs, Brochures,...)

<https://www.siemens.com/lowvoltage/catalogs>

Industry Mall (Online ordering system)

<https://mall.industry.siemens.com/mall/en/en/Catalog/product?mlfb=3VA9687-0FK25>

Service&Support (Manuals, Certificates, Characteristics, FAQs,...)

<https://support.industry.siemens.com/cs/ww/en/ps/3VA9687-0FK25>

Image database (product images, 2D dimension drawings, 3D models, device circuit diagrams, ...)

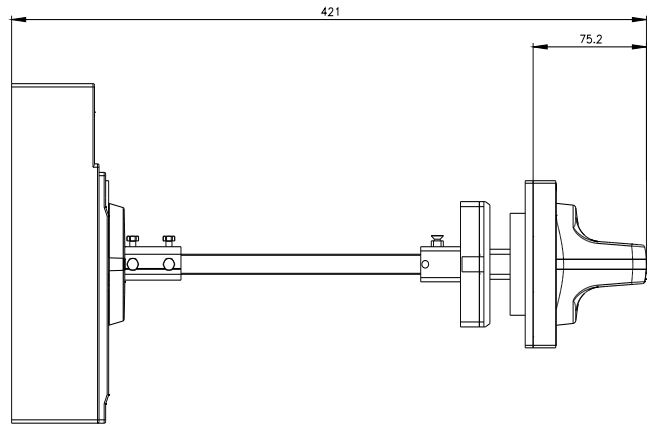
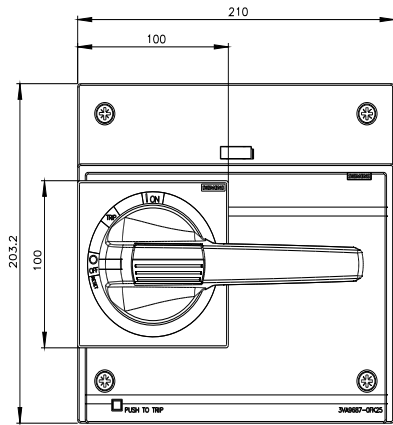
https://www.automation.siemens.com/bilddb/cax_en.aspx?mlfb=3VA9687-0FK25

CAX-Online-Generator

<https://www.siemens.com/cax>

Tender specifications

<https://www.siemens.com/specifications>



last modified:

4/3/2025 

