

rotary operator with shaft stub for retrofit 8UC accessory for: 3VA15; 3VA25/26

Model	
product brand name	SETRON
product designation	Rotary operator with shaft stub
accessories	Rotary operator with shaft stub
Mechanical Design	
height	203 mm
width	210 mm
Net Weight	2.739 kg
Certificates	
General Product Approval	EMV



EG-Konf.



[Confirmation](#)

[Miscellaneous](#)

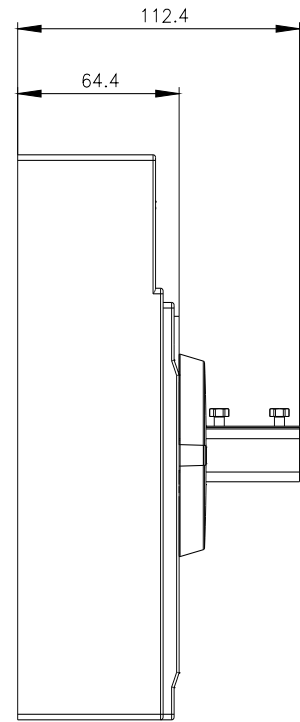
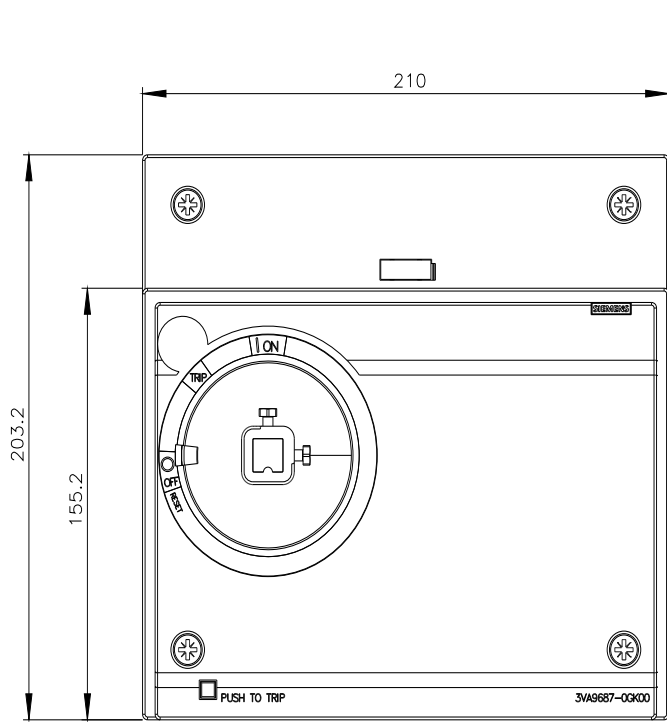


RCM

Test Certificates	Maritime application	other	Environment	
Type Test Certificates/Test Report		Confirmation	Miscellaneous	Environmental Confirmations
				Environmental Confirmations

Further information

- Information on the packaging
<https://support.industry.siemens.com/cs/ww/en/view/109813875>
- Information for data generation and storage
<https://support.industry.siemens.com/cs/ww/en/view/109995012>
- Information- and Downloadcenter (Catalogs, Brochures,...)
<https://www.siemens.com/lowvoltage/catalogs>
- Industry Mall (Online ordering system)
<https://mall.industry.siemens.com/mall/en/en/Catalog/product?mlfb=3VA9687-0GK00>
- Service&Support (Manuals, Certificates, Characteristics, FAQs,...)
<https://support.industry.siemens.com/cs/ww/en/ps/3VA9687-0GK00>
- Image database (product images, 2D dimension drawings, 3D models, device circuit diagrams, ...)
https://www.automation.siemens.com/bilddb/cax_en.aspx?mlfb=3VA9687-0GK00
- CAX-Online-Generator
<https://www.siemens.com/cax>
- Tender specifications
<https://www.siemens.com/specifications>



last modified:

4/3/2025 

