

operator kit with Bowden cable Max-Flex operator switching mechanism single accessory for: 3VA57/3VA58/3VA59 3VA67/3VA68/3VA69

Model

product brand name	SETRON
product designation	Operating unit

Mechanical Design

Net Weight	2.27 kg
------------	---------

Certificates

General Product Approval



EG-Konf.



[Declaration of Conformity](#)

[Confirmation](#)



UL

[Miscellaneous](#)

General Product Approval	EMV	Maritime application	other	Environment
--------------------------	-----	----------------------	-------	-------------



RCM



LRS

[Confirmation](#)

[Miscellaneous](#)

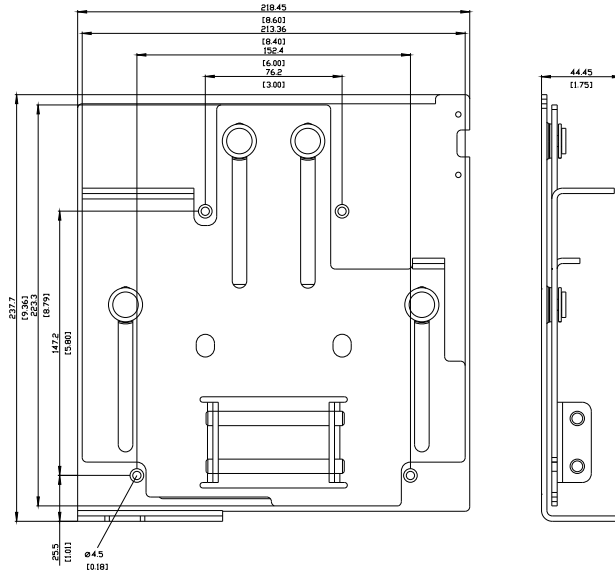
[Environmental Confirmations](#)

Environment

[Environmental Confirmations](#)

Further information

- Information on the packaging <https://support.industry.siemens.com/cs/ww/en/view/109813875>
- Information for data generation and storage <https://support.industry.siemens.com/cs/ww/en/view/109995012>
- Information- and Downloadcenter (Catalogs, Brochures,...) <https://www.siemens.com/lowvoltage/catalogs>
- Industry Mall (Online ordering system) <https://mall.industry.siemens.com/mall/en/en/Catalog/product?mlfb=3VA9877-0CB10>
- Service&Support (Manuals, Certificates, Characteristics, FAQs,...) <https://support.industry.siemens.com/cs/ww/en/ps/3VA9877-0CB10>
- Image database (product images, 2D dimension drawings, 3D models, device circuit diagrams, ...) https://www.automation.siemens.com/bilddb/cax_en.aspx?mlfb=3VA9877-0CB10
- CAX-Online-Generator



last modified:

5/26/2025

