



operator kit with Bowden cable Max-Flex operator handle single epoxy-coated steel NEMA 1, 12, 3R black = OFF, black = ON accessory for: 3VA55-59; 3VA65-69 only for the UL market only for UL applications not approved for IEC

Model	
product brand name	SETRON
product designation	Operating unit Max-Flex, handle single
accessories	handle for Max-Flex
General technical data	
degree of protection NEMA rating	1, 3R, 12
Mechanical Design	
Net Weight	2.334 kg
Certificates	
General Product Approval	EMV



[Miscellaneous](#)



Maritime application	other	Environment
----------------------	-------	-------------



LRS

[Confirmation](#)

[Miscellaneous](#)

[Environmental Con-  
firmations](#)

[Environmental Con-  
firmations](#)

### Further information

#### Information on the packaging

<https://support.industry.siemens.com/cs/ww/en/view/109813875>

#### Information for data generation and storage

<https://support.industry.siemens.com/cs/ww/en/view/109995012>

#### Information- and Downloadcenter (Catalogs, Brochures,...)

<https://www.siemens.com/lowvoltage/catalogs>

#### Industry Mall (Online ordering system)

<https://mall.industry.siemens.com/mall/en/en/Catalog/product?mifb=3VA9877-0CH74>

#### Service&Support (Manuals, Certificates, Characteristics, FAQs,...)

<https://support.industry.siemens.com/cs/ww/en/ps/3VA9877-0CH74>

#### Image database (product images, 2D dimension drawings, 3D models, device circuit diagrams, ...)

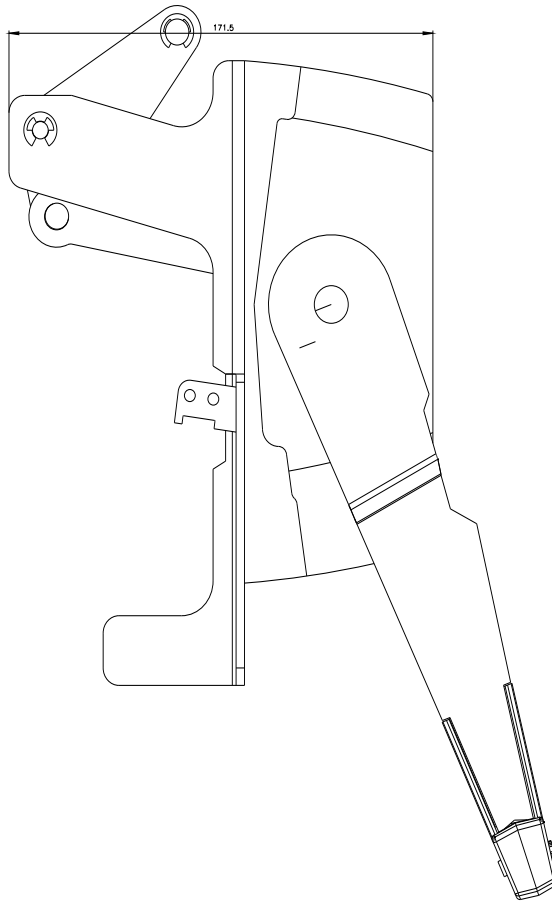
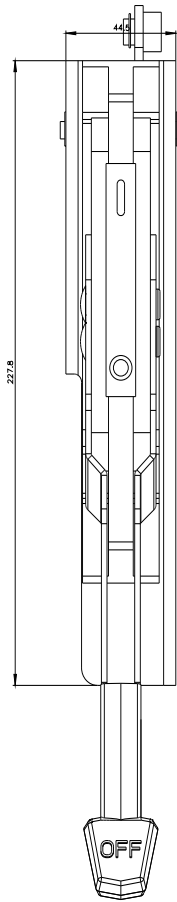
[https://www.automation.siemens.com/bilddb/cax\\_en.aspx?mifb=3VA9877-0CH74](https://www.automation.siemens.com/bilddb/cax_en.aspx?mifb=3VA9877-0CH74)

#### CAx-Online-Generator

<https://www.siemens.com/cax>

#### Tender specifications

<https://www.siemens.com/specifications>



last modified:

5/26/2025 

