



operator kit with Bowden cable Max-Flex operator complete kit comprising: steel handle epoxy-coated NEMA 1, 12, 3R black = OFF, red = ON Bowden cable length 1.2 m (48") switching mechanism accessory for: 3VA57/3VA58/3VA59 3VA67/3VA68/3VA69 only for the UL market only for UL applications not approved for IEC

Model	
product brand name	SETRON
product designation	Operating unit
Mechanical Design	
Net Weight	5.01 kg
Certificates	
General Product Approval	





[Declaration of Conformity](#)

[Confirmation](#)

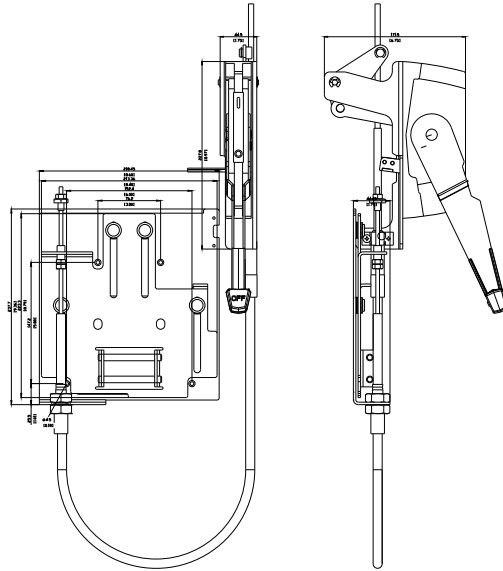
[Miscellaneous](#)



EMV	Maritime application	other	Environment		
		Confirmation	Miscellaneous	Environmental Confirmations	Environmental Confirmations

Further information

- Information on the packaging <https://support.industry.siemens.com/cs/ww/en/view/109813875>
- Information for data generation and storage <https://support.industry.siemens.com/cs/ww/en/view/109995012>
- Information- and Downloadcenter (Catalogs, Brochures,...) <https://www.siemens.com/lowvoltage/catalogs>
- Industry Mall (Online ordering system) <https://mall.industry.siemens.com/mall/en/en/Catalog/product?mlfb=3VA9877-0CK72>
- Service&Support (Manuals, Certificates, Characteristics, FAQs,...) <https://support.industry.siemens.com/cs/ww/en/ps/3VA9877-0CK72>
- Image database (product images, 2D dimension drawings, 3D models, device circuit diagrams, ...) https://www.automation.siemens.com/bilddb/cax_en.aspx?mlfb=3VA9877-0CK72
- CAx-Online-Generator <https://www.siemens.com/cax>
- Tender specifications <https://www.siemens.com/specifications>



last modified:

5/11/2025 

