



front mounted rotary operator standard with door interlock IEC IP30/40 accessory for: 3VA57/58/59; 3VA67/68/69

Model	
product brand name	SETRON
product designation	front rotary operating mechanism
Mechanical Design	
Net Weight	3.162 kg
Certificates	
General Product Approval	EMV



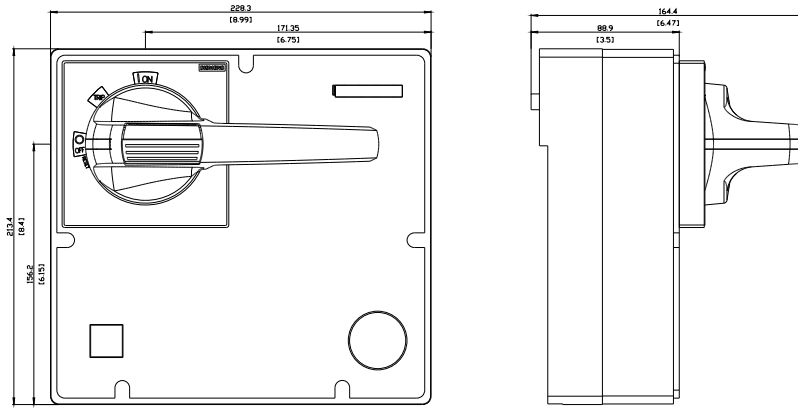
[Miscellaneous](#)



Test Certificates	Maritime application	other	Environment		
Type Test Certificates/Test Report		Confirmation	Miscellaneous	Environmental Confirmations	Environmental Confirmations

Further information

- Information on the packaging <https://support.industry.siemens.com/cs/ww/en/view/109813875>
- Information for data generation and storage <https://support.industry.siemens.com/cs/ww/en/view/109995012>
- Information- and Downloadcenter (Catalogs, Brochures,...) <https://www.siemens.com/lowvoltage/catalogs>
- Industry Mall (Online ordering system) <https://mall.industry.siemens.com/mall/en/en/Catalog/product?mlfb=3VA9877-0EK11>
- Service&Support (Manuals, Certificates, Characteristics, FAQs,...) <https://support.industry.siemens.com/cs/ww/en/ps/3VA9877-0EK11>
- Image database (product images, 2D dimension drawings, 3D models, device circuit diagrams, ...) https://www.automation.siemens.com/bilddb/cax_en.aspx?mlfb=3VA9877-0EK11
- CAX-Online-Generator <https://www.siemens.com/cax>
- Tender specifications <https://www.siemens.com/specifications>



last modified:

5/26/2025 