



front mounted rotary operator EMERGENCY OFF with door interlock IEC IP30/40
accessory for: 3VA57/58/59; 3VA67/68/69

Model	
product brand name	SENTRON
product designation	front rotary operating mechanism

Mechanical Design	
Net Weight	3.166 kg

Certificates	
--------------	--

General Product Approval					
Confirmation				Miscellaneous	

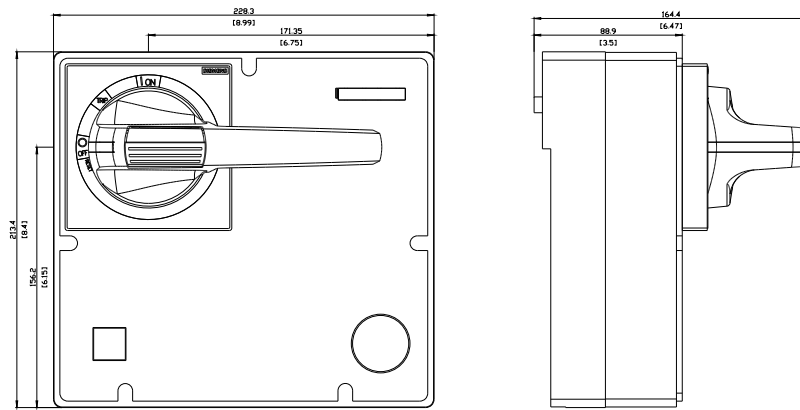
EMV	Test Certificates	Maritime application	other	Environment	
	Type Test Certificates/Test Report		Confirmation	Miscellaneous	Environmental Confirmations

Environment
Environmental Confirmations

Further information
Information on the packaging https://support.industry.siemens.com/cs/ww/en/view/109813875
Information for data generation and storage https://support.industry.siemens.com/cs/ww/en/view/109995012
Information- and Downloadcenter (Catalogs, Brochures,...) https://www.siemens.com/lowvoltage/catalogs
Industry Mall (Online ordering system) https://mall.industry.siemens.com/mall/en/en/Catalog/product?mlfb=3VA9877-0EK15
Service&Support (Manuals, Certificates, Characteristics, FAQs,...) https://support.industry.siemens.com/cs/ww/en/ps/3VA9877-0EK15
Image database (product images, 2D dimension drawings, 3D models, device circuit diagrams, ...) https://www.automation.siemens.com/bilddb/cax_en.aspx?mlfb=3VA9877-0EK15
CAX-Online-Generator https://www.siemens.com/cax

Tender specifications

<https://www.siemens.com/specifications>



last modified:

5/26/2025 

