



supplementary handle for door mounted rotary operator EMERGENCY STOP accessory for: 3VA57/58/59; 3VA67/68/69

Model	
product brand name	SETRON
product designation	Supplementary handle
Mechanical Design	
Net Weight	1 kg

Certificates

General Product Approval

[Confirmation](#)



EG-Konf.



UL

[Miscellaneous](#)



EMV	Test Certificates	Maritime application	other	Environment
<p>RCM</p>	Type Test Certificates/Test Report	<p>LRS</p>	Confirmation	Environmental Confirmations

Environment

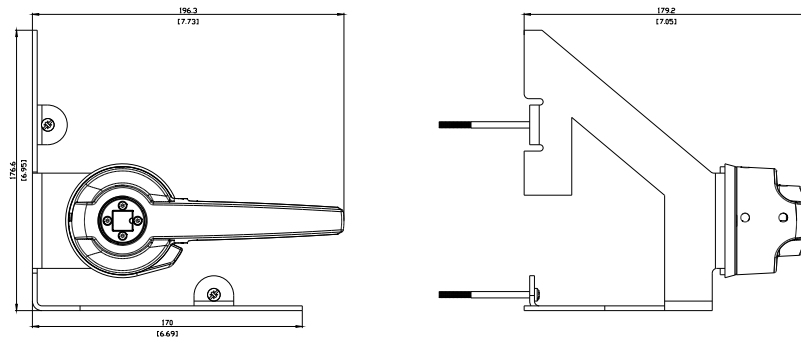
[Environmental Confirmations](#)

Further information

- Information on the packaging
<https://support.industry.siemens.com/cs/ww/en/view/109813875>
- Information for data generation and storage
<https://support.industry.siemens.com/cs/ww/en/view/109995012>
- Information- and Downloadcenter (Catalogs, Brochures,...)
<https://www.siemens.com/lowvoltage/catalogs>
- Industry Mall (Online ordering system)
<https://mall.industry.siemens.com/mall/en/en/Catalog/product?mlfb=3VA9877-0GC05>
- Service&Support (Manuals, Certificates, Characteristics, FAQs,...)
<https://support.industry.siemens.com/cs/ww/en/ps/3VA9877-0GC05>
- Image database (product images, 2D dimension drawings, 3D models, device circuit diagrams, ...)
https://www.automation.siemens.com/bilddb/cax_en.aspx?mlfb=3VA9877-0GC05
- CAX-Online-Generator
<https://www.siemens.com/cax>

Tender specifications

<https://www.siemens.com/specifications>



last modified:

4/3/2025 

