



aux. switch module, rotary op. 1 auxiliary switch, OFF to ON accessory for:
3VA57/58/59 3VA67/68/69

Model	
product brand name	SETRON
product designation	Auxiliary switch module
accessories	Auxiliary switch module
General technical data	
degree of pollution	3
overvoltage category	III
Voltage	
surge voltage resistance	4 kV
operating voltage / at AC / according to CSA and UL	230 V
operating voltage / at DC / according to CSA and UL	24 V
operating voltage / at AC / at 50 Hz / rated value / minimum	230 V
operating voltage / at DC / rated value / minimum	250 V
Current	
thermal current	5 A
operational current	
• at AC-12 / at 12 V	5 A
• at AC-12 / at 24 V	5 A
• at AC-12 / at 48 V	5 A
• at AC-12 / at 125 V	5 A
• at AC-12 / at 220/240 V	5 A
• at DC-13 / at 12 V	0.2 A
• at DC-13 / at 24 V	0.2 A
• at DC-13 / at 48 V	0.2 A
• at DC-13 / at 110 V	0.2 A
• at DC-13 / at 250 V	0.2 A
• at AC-15 / at 12 V	2 A
• at AC-15 / at 24 V	2 A
• at AC-15 / at 48 V	2 A
• at AC-15 / at 125 V	2 A
• at AC-15 / at 220/240 V	2 A
Mechanical Design	
Net Weight	160 g
Connetctions according UL	
ambient temperature / during operation	
• minimum	-25 °C
• maximum	70 °C
ambient temperature / during storage	
• minimum	-40 °C

• maximum

80 °C

Certificates

General Product Approval



[Confirmation](#)



[Miscellaneous](#)



EMV

Test Certificates

Maritime application

other

Environment



[Type Test Certificates/Test Report](#)



[Confirmation](#)

[Miscellaneous](#)

[Environmental Confirmations](#)

Environment

[Environmental Confirmations](#)

Further information

Information on the packaging

<https://support.industry.siemens.com/cs/ww/en/view/109813875>

Information for data generation and storage

<https://support.industry.siemens.com/cs/ww/en/view/109995012>

Information- and Downloadcenter (Catalogs, Brochures,...)

<https://www.siemens.com/lowvoltage/catalogs>

Industry Mall (Online ordering system)

<https://mall.industry.siemens.com/mall/en/en/Catalog/product?mlfb=3VA9877-0GX31>

Service&Support (Manuals, Certificates, Characteristics, FAQs,...)

<https://support.industry.siemens.com/cs/ww/en/ps/3VA9877-0GX31>

Image database (product images, 2D dimension drawings, 3D models, device circuit diagrams, ...)

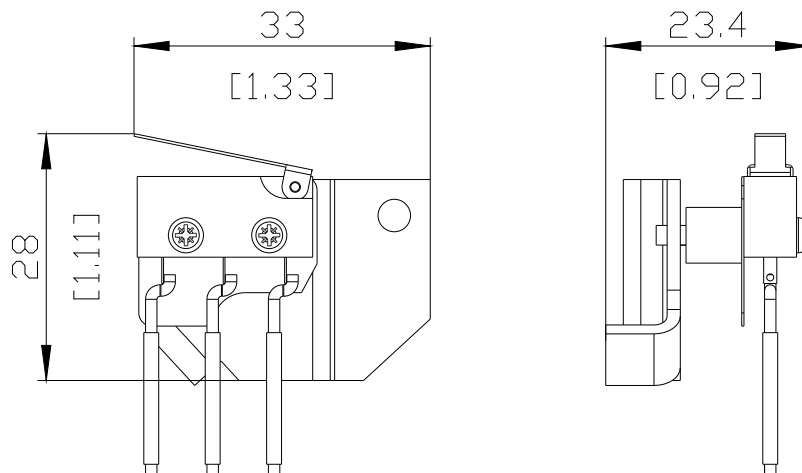
https://www.automation.siemens.com/bilddb/cax_en.aspx?mlfb=3VA9877-0GX31

CAX-Online-Generator

<https://www.siemens.com/cax>

Tender specifications

<https://www.siemens.com/specifications>



last modified:

5/26/2025

