



position signaling switch accessory for: plug-in and withdrawable units

Model	
product brand name	SETRON
product designation	Position signaling switch
accessories	Position signaling switch
General technical data	
degree of pollution	3
overvoltage category	III
Voltage	
surge voltage resistance	4 kV
operating voltage / at AC / according to CSA and UL	240 V
operating voltage / at DC / according to CSA and UL	250 V
operating voltage / at AC / at 50 Hz / rated value / minimum	240 V
operating voltage / at DC / rated value / minimum	250 V
Current	
thermal current	6 A
operational current	
• at AC-12 / at 12 V	6 A
• at AC-12 / at 24 V	6 A
• at AC-12 / at 48 V	6 A
• at AC-12 / at 125 V	6 A
• at AC-12 / at 220/240 V	6 A
• at DC-12 / at 12 V	6 A
• at DC-12 / at 24 V	3 A
• at DC-12 / at 48 V	1 A
• at DC-12 / at 110 V	0.5 A
• at DC-12 / at 250 V	0.25 A
Mechanical Design	
height	43 mm
width	8.5 mm
depth	33 mm
Net Weight	70 g
tightening torque / with screw-type terminals / minimum	0.4 N·m
tightening torque / with screw-type terminals / maximum	0.5 N·m
Connections according IEC	
stripped length	15 mm
connectable conductor cross-section	
• minimum	0.5 ... 1.5
• maximum	
AWG number / as coded connectable conductor cross	

section / for auxiliary contacts	
• minimum	20
• maximum	16
Connections according UL	
stripped length [in]	0.6 in
tightening torque [lbf-in] / with screw-type terminals / minimum	3.5 lbf-in
tightening torque [lbf-in] / with screw-type terminals / maximum	4.4 lbf-in
ambient temperature / during operation	
• minimum	-25 °C
• maximum	70 °C
ambient temperature / during storage	
• minimum	-40 °C
• maximum	80 °C

Certificates

General Product Approval



[Confirmation](#)



[Miscellaneous](#)

General Product Approval	EMV	Test Certificates	Maritime application	other
--------------------------	-----	-------------------	----------------------	-------



[Type Test Certificates/Test Report](#)



[Confirmation](#)

[Miscellaneous](#)

Environment

[Environmental Confirmations](#)

[Environmental Confirmations](#)

Further information

Information on the packaging

<https://support.industry.siemens.com/cs/ww/en/view/109813875>

Information for data generation and storage

<https://support.industry.siemens.com/cs/ww/en/view/109995012>

Information- and Downloadcenter (Catalogs, Brochures,...)

<https://www.siemens.com/lowvoltage/catalogs>

Industry Mall (Online ordering system)

<https://mall.industry.siemens.com/mall/en/en/Catalog/product?mlfb=3VA9977-0KB00>

Service&Support (Manuals, Certificates, Characteristics, FAQs,...)

<https://support.industry.siemens.com/cs/ww/en/ps/3VA9977-0KB00>

Image database (product images, 2D dimension drawings, 3D models, device circuit diagrams, ...)

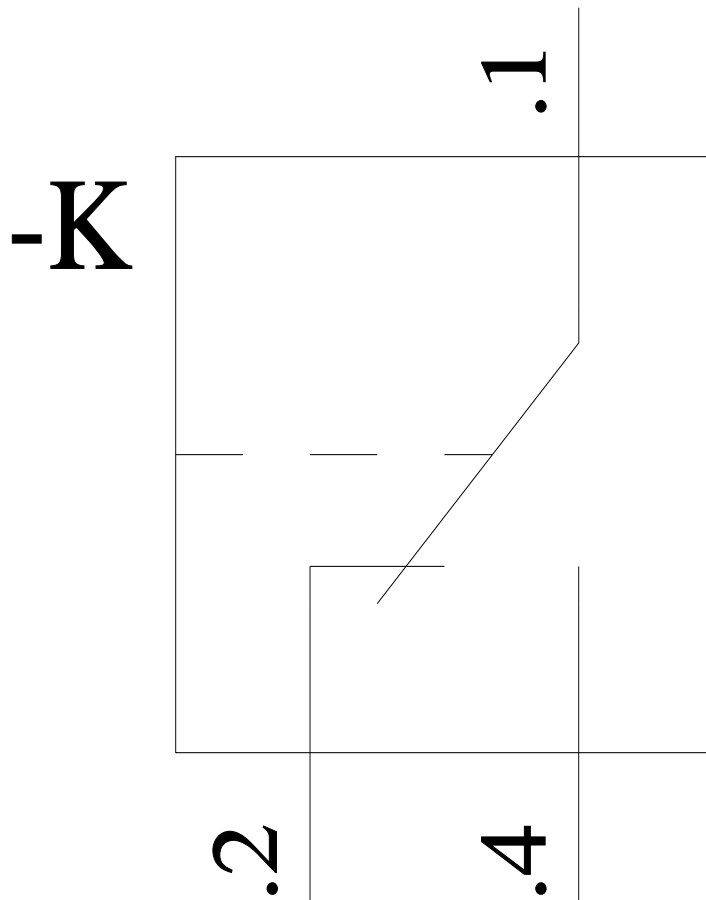
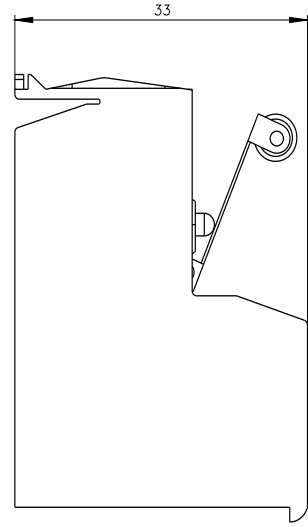
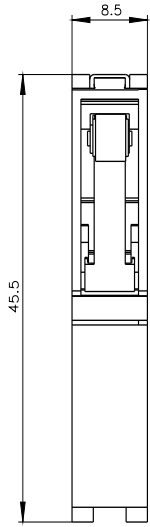
https://www.automation.siemens.com/bilddb/cax_en.aspx?mlfb=3VA9977-0KB00

CAX-Online-Generator

<https://www.siemens.com/cax>

Tender specifications

<https://www.siemens.com/specifications>



last modified:

4/3/2025 