



leading changeover switch changeover contacts Type HQ (7 mm) accessory for:
3VA4; 3VA51-55; 3VA61-66

Model	
product brand name	SENTRON
product designation	Leading auxiliary switch
accessories	Leading auxiliary switch
General technical data	
degree of pollution	3
overvoltage category	III
lead time / relating to main contacts	20 ms
Voltage	
surge voltage resistance	4 kV
operating voltage / at AC / according to CSA and UL	300 V
operating voltage / at DC / according to CSA and UL	250 V
operating voltage / at AC / at 50 Hz / rated value / minimum	240 V
operating voltage / at DC / rated value / minimum	250 V
Current	
thermal current	6 A
operational current	
• at AC-12 / at 12 V	6 A
• at AC-12 / at 24 V	6 A
• at AC-12 / at 48 V	6 A
• at AC-12 / at 125 V	6 A
• at AC-12 / at 220/240 V	6 A
• at DC-12 / at 12 V	6 A
• at DC-12 / at 24 V	4 A
• at DC-12 / at 48 V	2 A
• at DC-12 / at 110 V	0.5 A
• at DC-12 / at 250 V	0.25 A
• at DC-13 / at 12 V	1 A
• at DC-13 / at 24 V	0.8 A
• at DC-13 / at 48 V	0.4 A
• at DC-13 / at 110 V	0.2 A
• at DC-13 / at 250 V	0.1 A
• at AC-15 / at 12 V	3 A
• at AC-15 / at 24 V	3 A
• at AC-15 / at 48 V	3 A
• at AC-15 / at 125 V	3 A
• at AC-15 / at 220/240 V	3 A
Mechanical Design	
Net Weight	27 g

tightening torque / with screw-type terminals / minimum	0.4 N·m
tightening torque / with screw-type terminals / maximum	0.5 N·m
Connections according IEC	
stripped length	15 mm
connectable conductor cross-section	0.5 ... 1.5
<ul style="list-style-type: none"> • minimum • maximum 	
AWG number / as coded connectable conductor cross section / for auxiliary contacts	20 16
<ul style="list-style-type: none"> • minimum • maximum 	

Connections according UL	
stripped length [in]	0.6 in
tightening torque [lbf-in] / with screw-type terminals / minimum	3.5 lbf-in
tightening torque [lbf-in] / with screw-type terminals / maximum	4.4 lbf-in

Certificates

General Product Approval



[Confirmation](#)



General Product Approval	EMV	Test Certificates	Maritime application
--------------------------	-----	-------------------	----------------------

[Miscellaneous](#)

[KC](#)



[Type Test Certificates/Test Report](#)



other	Environment
-------	-------------

[Confirmation](#)

[Miscellaneous](#)

[Environmental Confirmations](#)

[Environmental Confirmations](#)

Further information

Information on the packaging

<https://support.industry.siemens.com/cs/ww/en/view/109813875>

Information for data generation and storage

<https://support.industry.siemens.com/cs/ww/en/view/109995012>

Information- and Downloadcenter (Catalogs, Brochures,...)

<https://www.siemens.com/lowvoltage/catalogs>

Industry Mall (Online ordering system)

<https://mall.industry.siemens.com/mall/en/en/Catalog/product?mlfb=3VA9978-0AA22>

Service&Support (Manuals, Certificates, Characteristics, FAQs,...)

<https://support.industry.siemens.com/cs/ww/en/ps/3VA9978-0AA22>

Image database (product images, 2D dimension drawings, 3D models, device circuit diagrams, ...)

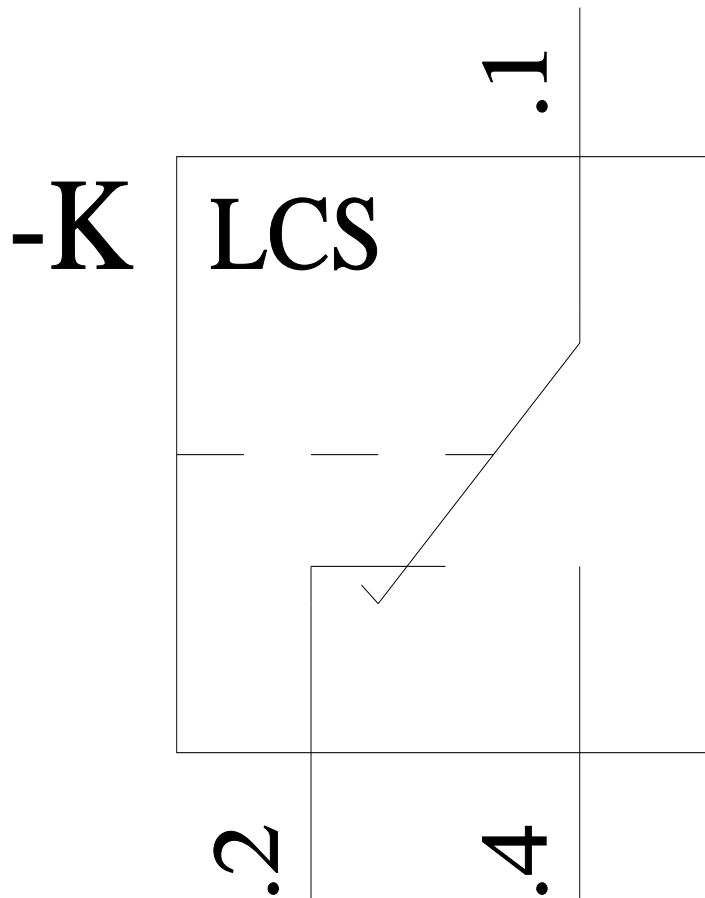
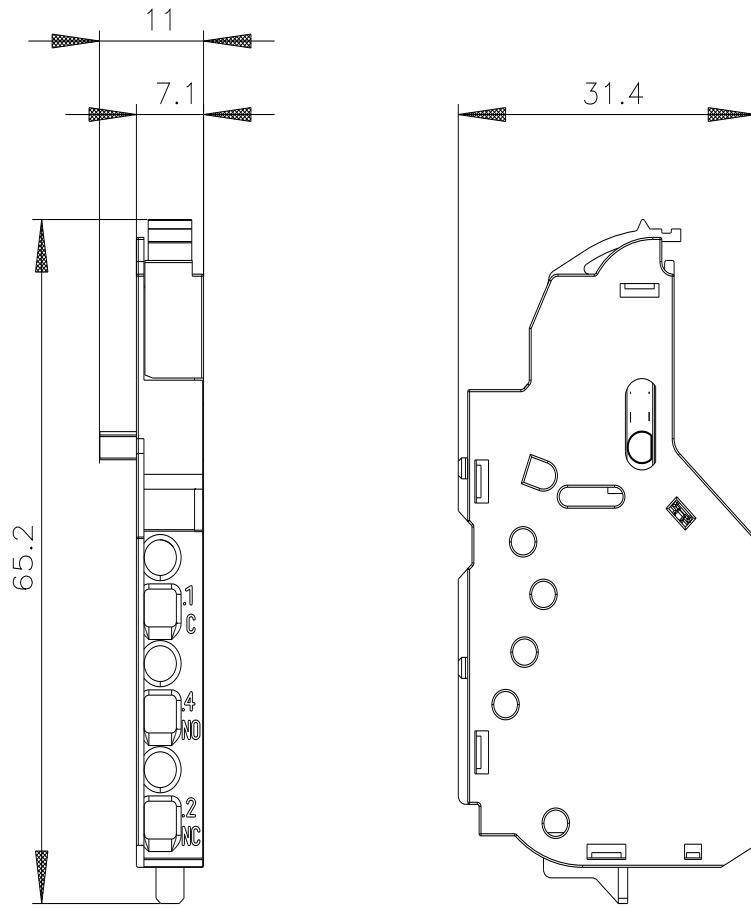
https://www.automation.siemens.com/bilddb/cax_en.aspx?mlfb=3VA9978-0AA22

CAX-Online-Generator

<https://www.siemens.com/cax>

Tender specifications

<https://www.siemens.com/specifications>



last modified:

4/3/2025

