



operating unit w. Bowden cable Max Flex operator handle single steel, epoxy sheathed NEMA 1/3R/12; black=OFF, black=ON

Model	
product brand name	SETRON
product designation	Bowden wire actuator
accessories	Bowden cable operator
General technical data	
degree of protection NEMA rating	1, 3R, 12
Mechanical Design	
Net Weight	1.557 kg
Certificates	
General Product Approval	



[Confirmation](#)



[Miscellaneous](#)

General Product Approval	EMV	Maritime application	other	Environment
--------------------------	-----	----------------------	-------	-------------



[Confirmation](#)

[Miscellaneous](#)

[Environmental Confirmations](#)

### Environment

[Environmental Confirmations](#)

### Further information

- Information on the packaging  
<https://support.industry.siemens.com/cs/ww/en/view/109813875>
- Information for data generation and storage  
<https://support.industry.siemens.com/cs/ww/en/view/109995012>
- Information- and Downloadcenter (Catalogs, Brochures,...)  
<https://www.siemens.com/lowvoltage/catalogs>
- Industry Mall (Online ordering system)  
<https://mall.industry.siemens.com/mall/en/en/Catalog/product?mifb=3VA9978-0CH74>
- Service&Support (Manuals, Certificates, Characteristics, FAQs,...)

<https://support.industry.siemens.com/cs/ww/en/ps/3VA9978-0CH74>

Image database (product images, 2D dimension drawings, 3D models, device circuit diagrams, ...)

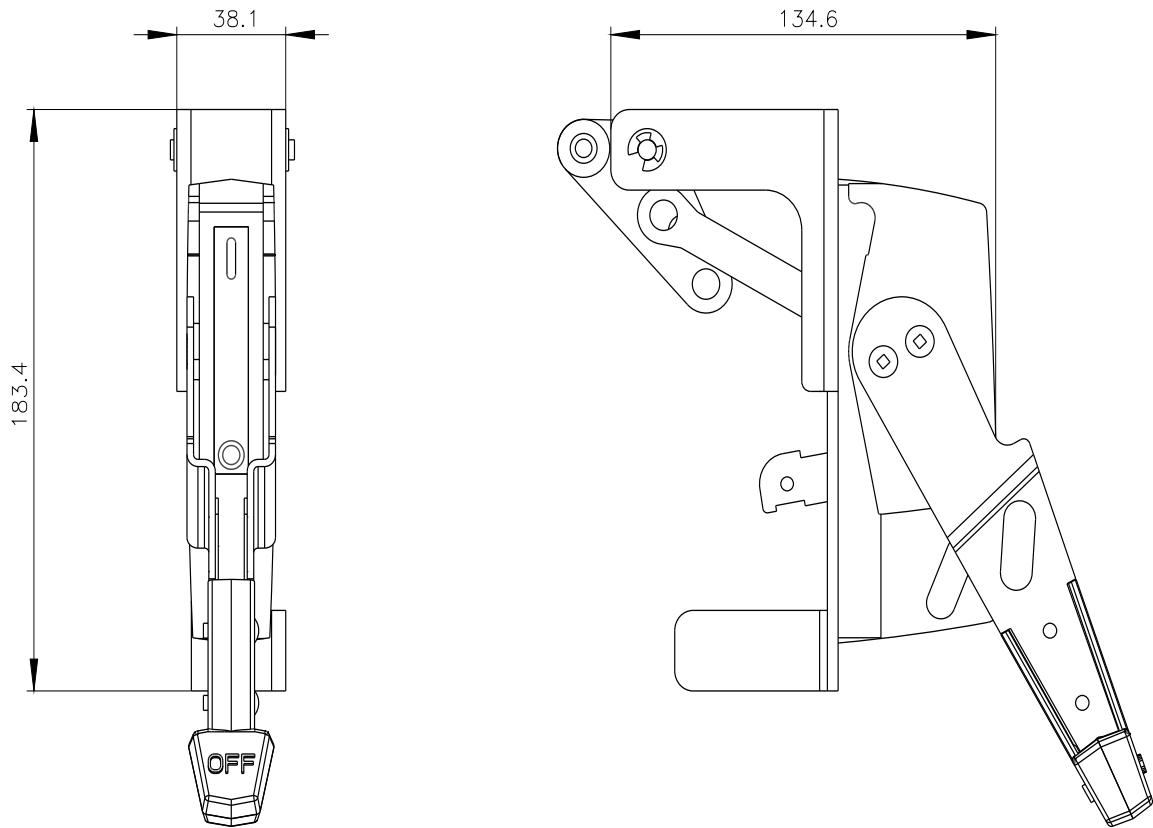
[https://www.automation.siemens.com/bilddb/cax\\_en.aspx?mlfb=3VA9978-0CH74](https://www.automation.siemens.com/bilddb/cax_en.aspx?mlfb=3VA9978-0CH74)

CAX-Online-Generator

<https://www.siemens.com/cax>

Tender specifications

<https://www.siemens.com/specifications>



last modified:

4/3/2025 

