



auxiliary circuit connector accessory for: all 3VA plug-in units

Model	
product brand name	SETRON
product designation	Auxiliary circuit connector
accessories	Auxiliary circuit connector
General technical data	
degree of pollution	3
overvoltage category	III
Voltage	
surge voltage resistance	4 kV
operating voltage / at AC / at 50 Hz / rated value / minimum	500 V
operating voltage / at DC / rated value / minimum	250 V
Current	
thermal current	10 A
Mechanical Design	
height	68 mm
width	15 mm
depth	55 mm
Net Weight	75 g
tightening torque / with screw-type terminals / minimum	0.4 N·m
tightening torque / with screw-type terminals / maximum	0.5 N·m
Connections according IEC	
stripped length	15 mm
connectable conductor cross-section	0.5 ... 2.5
<ul style="list-style-type: none"> • minimum • maximum 	
AWG number / as coded connectable conductor cross section / for auxiliary contacts	
<ul style="list-style-type: none"> • minimum • maximum 	20 14
Connections according UL	
stripped length [in]	0.6 in
tightening torque [lbf·in] / with screw-type terminals / minimum	3.5 lbf·in
tightening torque [lbf·in] / with screw-type terminals / maximum	4.4 lbf·in
ambient temperature / during operation	
<ul style="list-style-type: none"> • minimum • maximum 	-25 °C 70 °C
ambient temperature / during storage	

- minimum
- maximum

-40 °C
80 °C

Certificates

General Product Approval

EMV

Test Certificates



[Miscellaneous](#)



[Type Test Certificates/Test Report](#)

Maritime application

other

Environment



[Confirmation](#)

[Miscellaneous](#)

[Environmental Confirmations](#)

[Environmental Confirmations](#)

Further information

Information on the packaging

<https://support.industry.siemens.com/cs/ww/en/view/109813875>

Information for data generation and storage

<https://support.industry.siemens.com/cs/ww/en/view/109995012>

Information- and Downloadcenter (Catalogs, Brochures,...)

<https://www.siemens.com/lowvoltage/catalogs>

Industry Mall (Online ordering system)

<https://mall.industry.siemens.com/mall/en/en/Catalog/product?mlfb=3VA9987-0KP80>

Service&Support (Manuals, Certificates, Characteristics, FAQs,...)

<https://support.industry.siemens.com/cs/ww/en/ps/3VA9987-0KP80>

Image database (product images, 2D dimension drawings, 3D models, device circuit diagrams, ...)

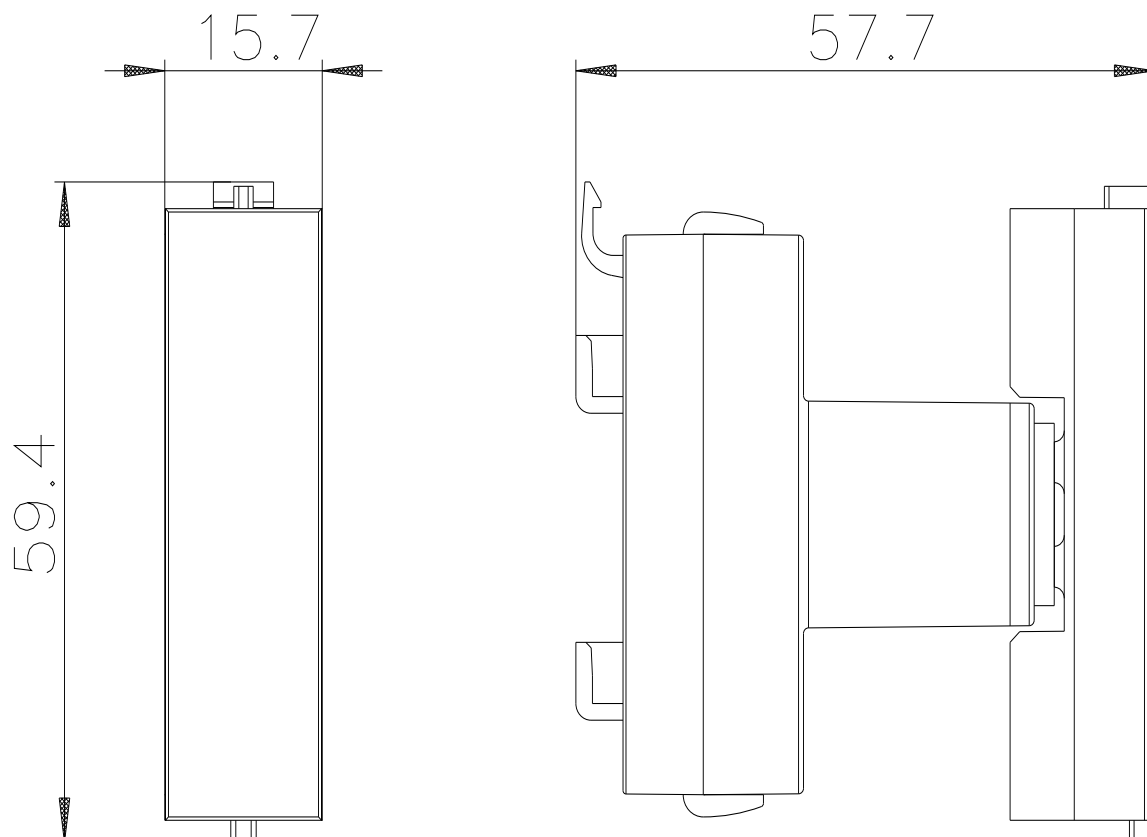
https://www.automation.siemens.com/bilddb/cax_en.aspx?mlfb=3VA9987-0KP80

CAX-Online-Generator

<https://www.siemens.com/cax>

Tender specifications

<https://www.siemens.com/specifications>



last modified:

4/3/2025 