



time-delay device fixed delay 110 V AC accessory for: 3VA IEC undervoltage release

Model	
product brand name	SETRON
product designation	time-delay device
accessories	Time-delay device
General technical data	
OFF-delay time / minimum	100 ms
Mechanical Design	
height	57.5 mm
width	44.8 mm
depth	72.3 mm
net weight	117 g
Net Weight	138 g
tightening torque / with screw-type terminals / minimum	0.8 N·m
tightening torque / with screw-type terminals / maximum	1.2 N·m
Connections according IEC	
stripped length	10 mm
connectable conductor cross-section	0.5 ... 1.5
<ul style="list-style-type: none"> <li>• minimum</li> <li>• maximum</li> </ul>	
AWG number / as coded connectable conductor cross section / for auxiliary contacts	20
<ul style="list-style-type: none"> <li>• minimum</li> <li>• maximum</li> </ul>	
16	
Connections according UL	
stripped length [in]	0.4 in
tightening torque [lbf·in] / with screw-type terminals / minimum	7.1 lbf·in
tightening torque [lbf·in] / with screw-type terminals / maximum	10.6 lbf·in
Certificates	
General Product Approval	EMV



[Confirmation](#)

[Miscellaneous](#)



Test Certificates

Maritime application

other

Environment

**Further information**

**Information on the packaging**

<https://support.industry.siemens.com/cs/ww/en/view/109813875>

**Information for data generation and storage**

<https://support.industry.siemens.com/cs/ww/en/view/109995012>

**Information- and Downloadcenter (Catalogs, Brochures,...)**

<https://www.siemens.com/lowvoltage/catalogs>

**Industry Mall (Online ordering system)**

<https://mall.industry.siemens.com/mall/en/en/Catalog/product?mlfb=3VA9988-0BF21>

**Service&Support (Manuals, Certificates, Characteristics, FAQs,...)**

<https://support.industry.siemens.com/cs/ww/en/ps/3VA9988-0BF21>

**Image database (product images, 2D dimension drawings, 3D models, device circuit diagrams, ...)**

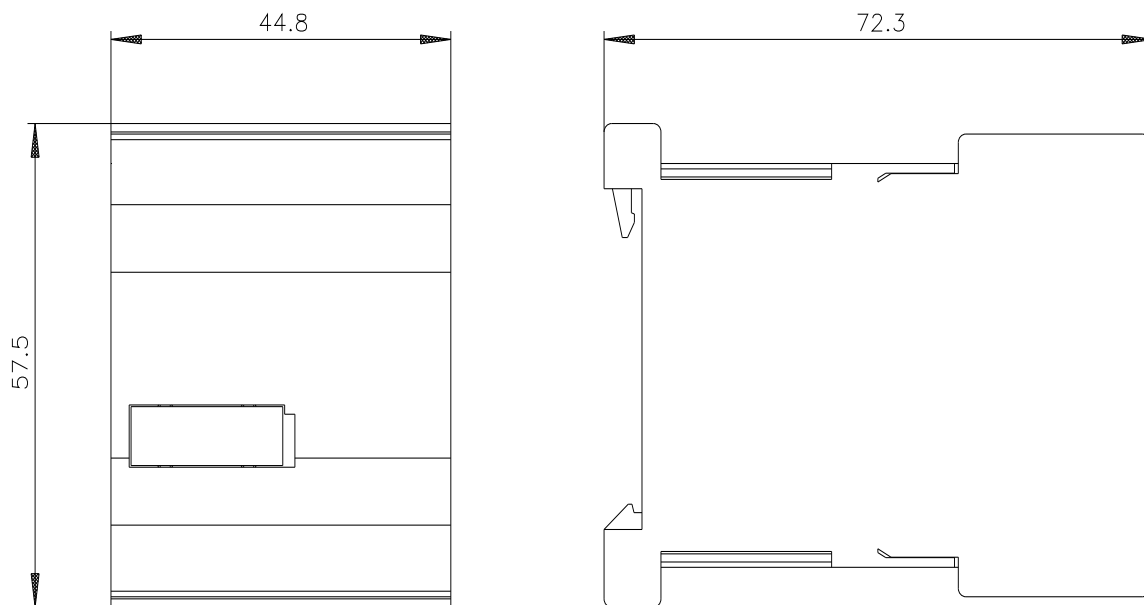
[https://www.automation.siemens.com/bilddb/cax\\_en.aspx?mlfb=3VA9988-0BF21](https://www.automation.siemens.com/bilddb/cax_en.aspx?mlfb=3VA9988-0BF21)

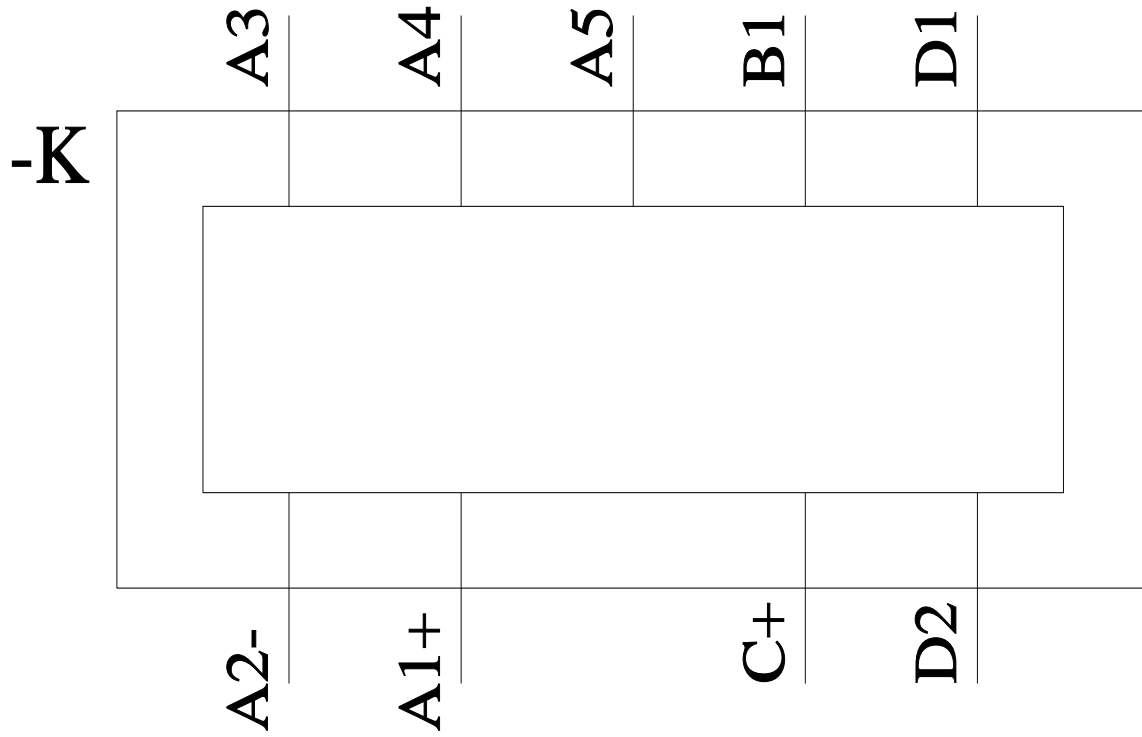
**CAx-Online-Generator**

<https://www.siemens.com/cax>

**Tender specifications**

<https://www.siemens.com/specifications>





last modified:

4/3/2025 

