



motorized operating mechanism MO 220...250 V AC/DC accessories for circuit breakers 3WL10 / 3VA27 (SE)

| Model                    |  |
|--------------------------|--|
| product brand name       | SETRON   |
| product designation      | motor operator MO                              |
| design of the product    | 220...250 V AC/DC                              |
| Accessories              |  |
| accessories              | Accessories for 3WL10 / 3VA27 circuit breakers |
| Mechanical Design        |  |
| height                   | 61 mm  |
| width                    | 90 mm  |
| depth                    | 140 mm   |
| Net Weight               | 786.9 g  |
| Approvals Certificates   |  |
| General Product Approval | Maritime application other                     |



[Confirmation](#)



## Environment

[Environmental Confirmations](#)

## Further information

### Information on the packaging

<https://support.industry.siemens.com/cs/ww/en/view/109813875>

### Information for data generation and storage

<https://support.industry.siemens.com/cs/ww/en/view/109995012>

### Information- and Downloadcenter (Catalogs, Brochures,...)

<https://www.siemens.com/lowvoltage/catalogs>

### Industry Mall (Online ordering system)

<https://mall.industry.siemens.com/mall/en/en/Catalog/product?mlfb=3VW9011-0AF04>

### Service&Support (Manuals, Certificates, Characteristics, FAQs,...)

<https://support.industry.siemens.com/cs/ww/en/ps/3VW9011-0AF04>

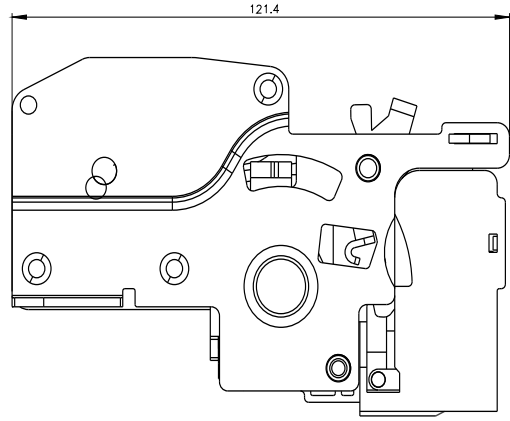
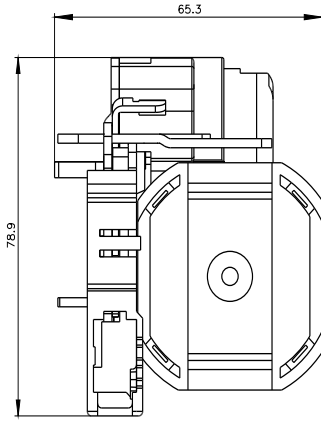
### Image database (product images, 2D dimension drawings, 3D models, device circuit diagrams, ...)

[https://www.automation.siemens.com/bilddb/cax\\_en.aspx?mlfb=3VW9011-0AF04](https://www.automation.siemens.com/bilddb/cax_en.aspx?mlfb=3VW9011-0AF04)

### CAX-Online-Generator

<https://www.siemens.com/cax>

### Tender specifications



---

last modified:

4/4/2025 

