

phase barriers H=200 mm for 4-pole, 6 units for fixed-mounted circuit breaker Ue > 440 V accessories for circuit breakers 3WL10 / 3VA27

Model	
product brand name	SETRON
product designation	phase barriers
design of the product	6 units, H=200 for fixed-mounted circuit breaker 4-pole Ue>440 V AC
Accessories	
accessories	Accessories for 3VA27/3WL10 circuit breakers
Mechanical Design	
height	61 mm
width	90 mm
depth	140 mm
Net Weight	0.267 kg
Approvals Certificates	
General Product Approval	Maritime application other



[Confirmation](#)

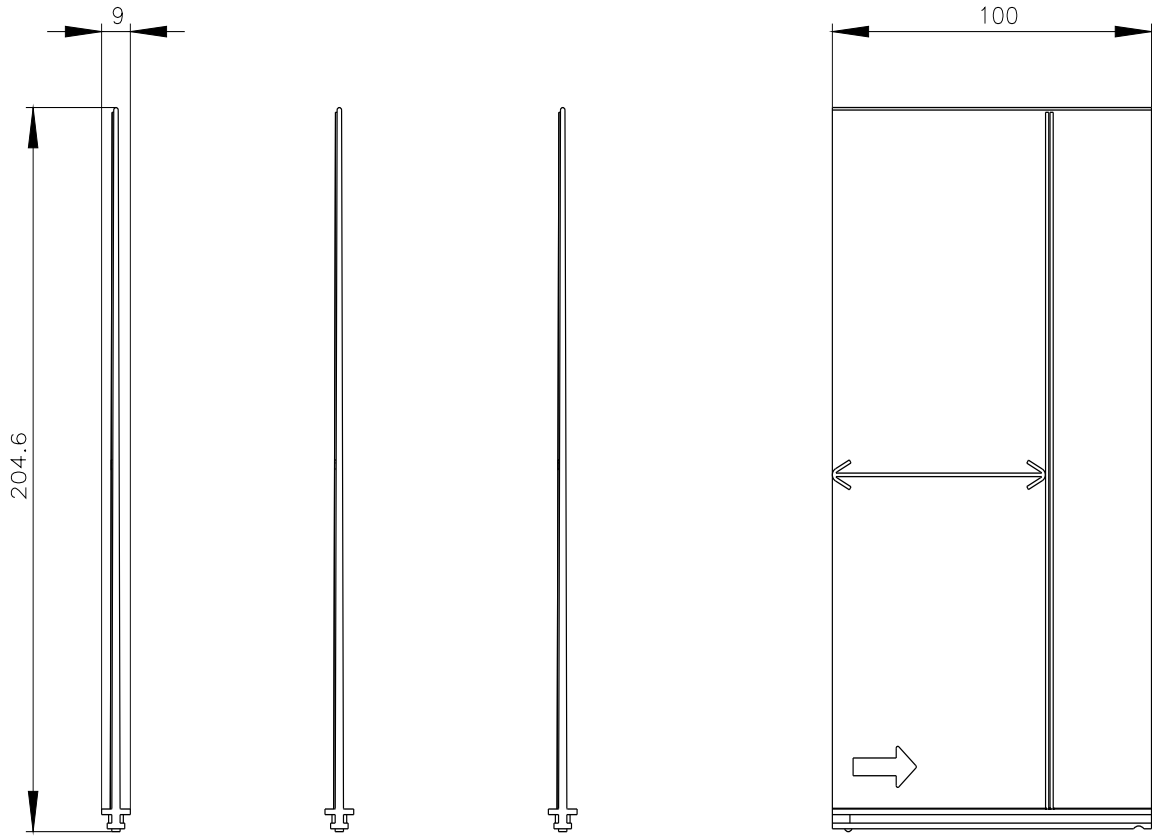


Environment

[Environmental Confirmations](#)

Further information

- Information on the packaging  
<https://support.industry.siemens.com/cs/ww/en/view/109813875>
- Information for data generation and storage  
<https://support.industry.siemens.com/cs/ww/en/view/109995012>
- Information- and Downloadcenter (Catalogs, Brochures,...)  
<https://www.siemens.com/lowvoltage/catalogs>
- Industry Mall (Online ordering system)  
<https://mall.industry.siemens.com/mall/en/en/Catalog/product?mlfb=3VW9724-0WA11>
- Service&Support (Manuals, Certificates, Characteristics, FAQs,...)  
<https://support.industry.siemens.com/cs/ww/en/ps/3VW9724-0WA11>
- Image database (product images, 2D dimension drawings, 3D models, device circuit diagrams, ...)  
[https://www.automation.siemens.com/bilddb/cax\\_en.aspx?mlfb=3VW9724-0WA11](https://www.automation.siemens.com/bilddb/cax_en.aspx?mlfb=3VW9724-0WA11)
- CAX-Online-Generator  
<https://www.siemens.com/cax>
- Tender specifications



last modified:

4/4/2025 

