



leading auxiliary switch S26 2x standard 400V AC accessory for circuit breaker 3VA27 (handle)

Model	
product brand name	SENTRON
product designation	auxiliary switch AUX
design of the product	leading S26
Accessories	
accessories	Accessories for 3VA27 circuit breakers
Mechanical Design	
height	61 mm
width	90 mm
depth	140 mm
Net Weight	104 g

Approvals Certificates		
General Product Approval	Maritime application	other

[Confirmation](#)



EG-Konf.



LRS



other	Environment
-------	-------------

[Confirmation](#)

[Environmental Confirmations](#)

Further information

Information on the packaging

<https://support.industry.siemens.com/cs/ww/en/view/109813875>

Information for data generation and storage

<https://support.industry.siemens.com/cs/ww/en/view/109995012>

Information- and Downloadcenter (Catalogs, Brochures,...)

<https://www.siemens.com/lowvoltage/catalogs>

Industry Mall (Online ordering system)

<https://mall.industry.siemens.com/mall/en/en/Catalog/product?mlfb=3VW9727-0AA21>

Service&Support (Manuals, Certificates, Characteristics, FAQs,...)

<https://support.industry.siemens.com/cs/ww/en/ps/3VW9727-0AA21>

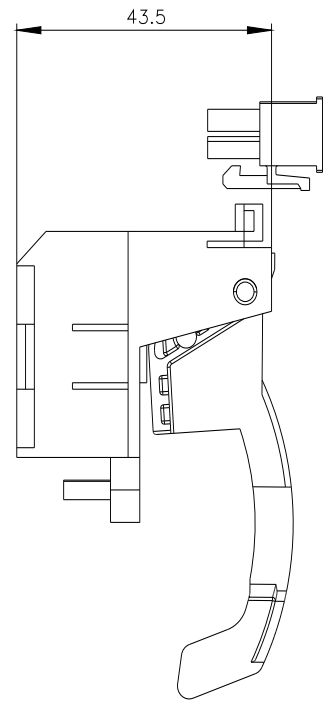
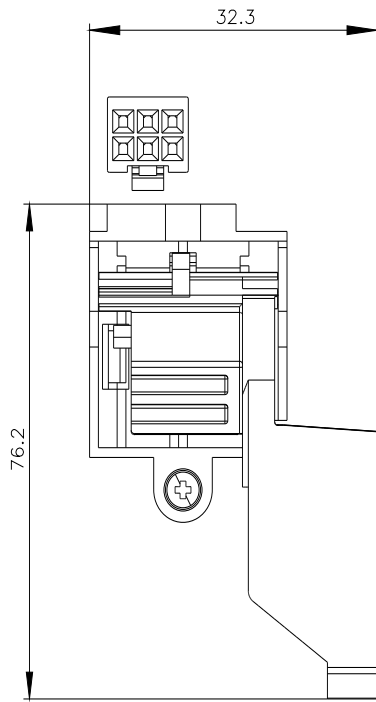
Image database (product images, 2D dimension drawings, 3D models, device circuit diagrams, ...)

https://www.automation.siemens.com/bilddb/cax_en.aspx?mlfb=3VW9727-0AA21

CAX-Online-Generator

<https://www.siemens.com/cax>

Tender specifications



last modified:

5/24/2025 

