

front mounted rotary operator, standard accessory for circuit breaker 3VA27 (handle)



Model	
product brand name	SENTRON
product designation	Front mounted rotary operator
design of the product	Standard
Protection class	
protection class IP	IP30
Accessories	
accessories	Accessories for 3VA27 circuit breakers
Mechanical Design	
height	61 mm
width	90 mm
depth	140 mm
Net Weight	1.46 kg
Approvals Certificates	
General Product Approval	Maritime application other



[Confirmation](#)



Environment

[Environmental Confirmations](#)

Further information

Information on the packaging

<https://support.industry.siemens.com/cs/ww/en/view/109813875>

Information for data generation and storage

<https://support.industry.siemens.com/cs/ww/en/view/109995012>

Information- and Downloadcenter (Catalogs, Brochures,...)

<https://www.siemens.com/lowvoltage/catalogs>

Industry Mall (Online ordering system)

<https://mall.industry.siemens.com/mall/en/en/Catalog/product?mlfb=3VW9727-0EK11>

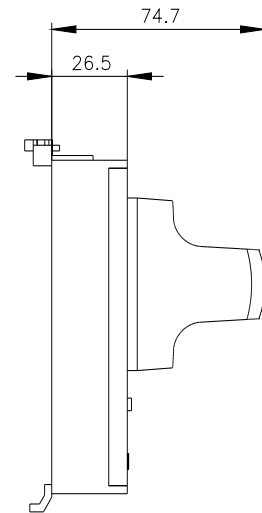
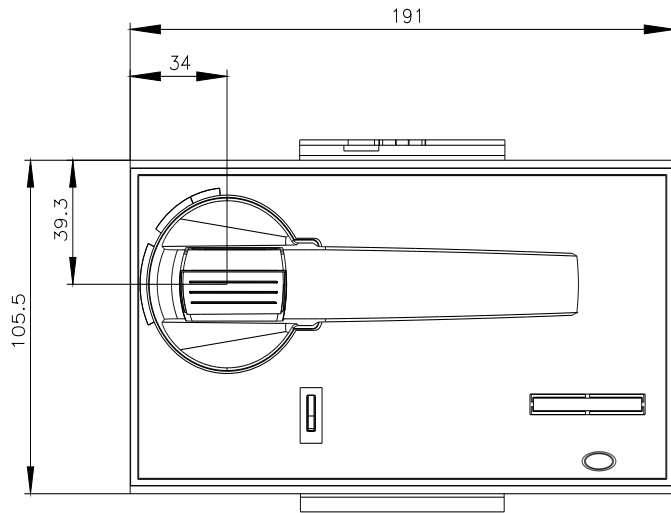
Service&Support (Manuals, Certificates, Characteristics, FAQs,...)

<https://support.industry.siemens.com/cs/ww/en/ps/3VW9727-0EK11>

Image database (product images, 2D dimension drawings, 3D models, device circuit diagrams, ...)

https://www.automation.siemens.com/bilddb/cax_en.aspx?mlfb=3VW9727-0EK11

CAX-Online-Generator



last modified:

5/24/2025 

