

front mounted rotary operator, emergency-off accessory for circuit breaker 3VA27 (handle)



Model		
product brand name	SETRON	
product designation	Front mounted rotary operator	
design of the product	Emergency-off	
Protection class		
protection class IP	IP30	
Accessories		
accessories	Accessories for 3VA27 circuit breakers	
Mechanical Design		
height	61 mm	
width	90 mm	
depth	140 mm	
Net Weight	57 g	
Approvals Certificates		
General Product Approval	Maritime application	other

[Confirmation](#)



[Confirmation](#)

other

Environment



[Environmental Confirmations](#)

### Further information

Information on the packaging

<https://support.industry.siemens.com/cs/ww/en/view/109813875>

Information for data generation and storage

<https://support.industry.siemens.com/cs/ww/en/view/109995012>

Information- and Downloadcenter (Catalogs, Brochures,...)

<https://www.siemens.com/lowvoltage/catalogs>

Industry Mall (Online ordering system)

<https://mall.industry.siemens.com/mall/en/en/Catalog/product?mlfb=3VW9727-0EK15>

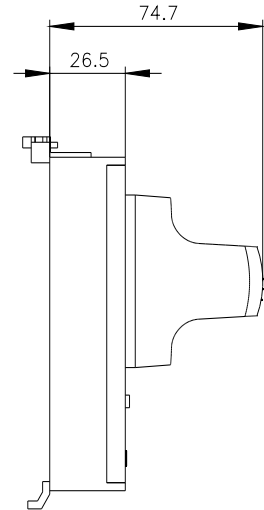
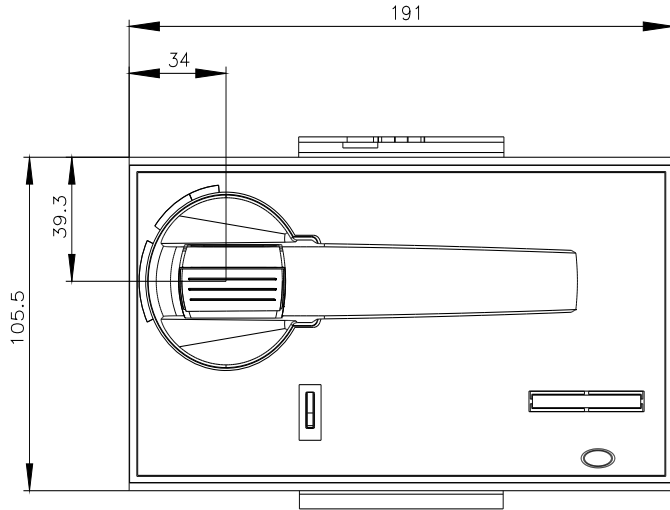
Service&Support (Manuals, Certificates, Characteristics, FAQs,...)

<https://support.industry.siemens.com/cs/ww/en/ps/3VW9727-0EK15>

Image database (product images, 2D dimension drawings, 3D models, device circuit diagrams, ...)

[https://www.automation.siemens.com/bilddb/cax\\_en.aspx?mlfb=3VW9727-0EK15](https://www.automation.siemens.com/bilddb/cax_en.aspx?mlfb=3VW9727-0EK15)

CAX-Online-Generator



last modified:

5/24/2025 

