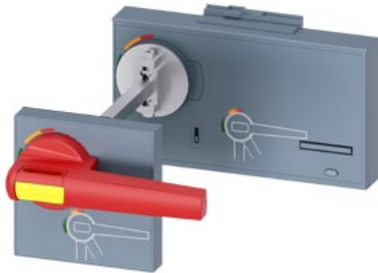


door-coupling rot. op. mech. emergency-off accessory for circuit breaker 3VA27 (handle)



Model		
product brand name	SENTRON	
product designation	Door mounted rotary operator	
design of the product	Emergency-off	
Protection class		
protection class IP	IP30	
Accessories		
accessories	Accessories for 3VA27 circuit breakers	
Mechanical Design		
height	61 mm	
width	90 mm	
depth	140 mm	
Net Weight	1.8 kg	
Approvals Certificates		
General Product Approval	Maritime application	other



[Confirmation](#)

Environment

[Environmental Confirmations](#)

Further information

Information on the packaging

<https://support.industry.siemens.com/cs/ww/en/view/109813875>

Information for data generation and storage

<https://support.industry.siemens.com/cs/ww/en/view/109995012>

Information- and Downloadcenter (Catalogs, Brochures,...)

<https://www.siemens.com/lowvoltage/catalogs>

Industry Mall (Online ordering system)

<https://mall.industry.siemens.com/mall/en/en/Catalog/product?mlfb=3VW9727-0FK25>

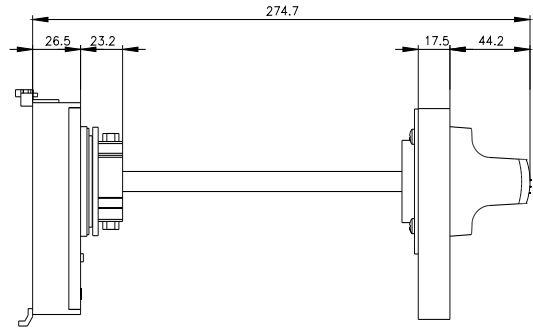
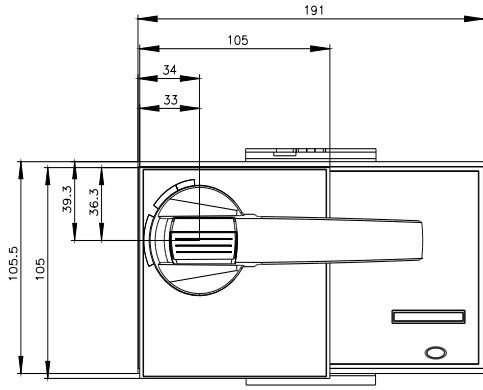
Service&Support (Manuals, Certificates, Characteristics, FAQs,...)

<https://support.industry.siemens.com/cs/ww/en/ps/3VW9727-0FK25>

Image database (product images, 2D dimension drawings, 3D models, device circuit diagrams, ...)

https://www.automation.siemens.com/bilddb/cax_en.aspx?mlfb=3VW9727-0FK25

CAX-Online-Generator



last modified:

5/24/2025 

