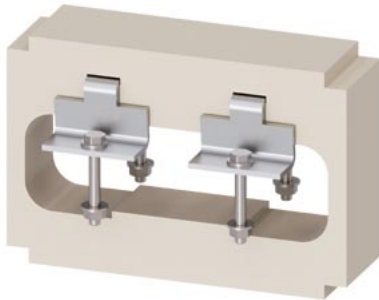


Accessory circuit breaker 3WA, External metering current sensor for N conductor, frame size 3, window type, (without copper bar)



Model	
product brand name	SENTRON
product designation	External current sensor
design of the product	external current sensor for the neutral pole, for mounting on busbar (without copper busbar)

General technical data	
size of the circuit-breaker	3
Net Weight	720 g

Approvals Certificates		
General Product Approval	EMV	Test Certificates



EG-Konf.



[Miscellaneous](#)

[Type Test Certificates/Test Report](#)

Test Certificates	Maritime application	other
-------------------	----------------------	-------

[Special Test Certificate](#)



[Confirmation](#)

Further information

Information on the packaging

<https://support.industry.siemens.com/cs/ww/en/view/109813875>

Information for data generation and storage

<https://support.industry.siemens.com/cs/ww/en/view/109995012>

Information- and Downloadcenter (Catalogs, Brochures,...)

<https://www.siemens.com/lowvoltage/catalogs>

Industry Mall (Online ordering system)

<https://mall.industry.siemens.com/mall/en/en/Catalog/product?mlfb=3WA9111-0AA23>

Service&Support (Manuals, Certificates, Characteristics, FAQs,...)

<https://support.industry.siemens.com/cs/ww/en/ps/3WA9111-0AA23>

Image database (product images, 2D dimension drawings, 3D models, device circuit diagrams, ...)

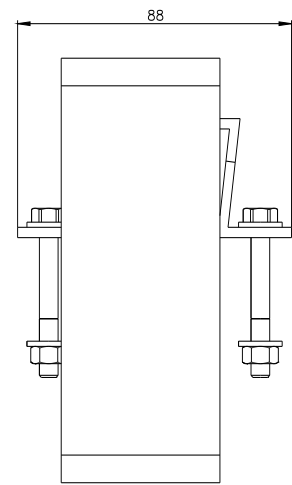
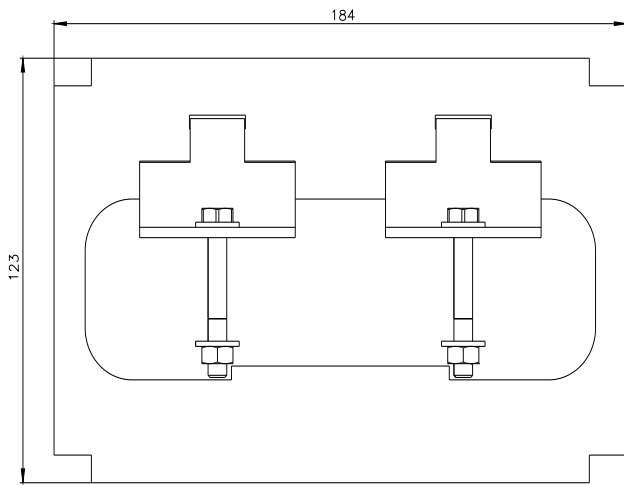
https://www.automation.siemens.com/bilddb/cax_en.aspx?mlfb=3WA9111-0AA23

CAX-Online-Generator

<https://www.siemens.com/cax>

Tender specifications

<https://www.siemens.com/specifications>



last modified:

4/13/2025 

