

Accessory circuit breaker 3WA, External metering current sensor for N conductor, frame size 1, for bus bar connection (include copper bar)

Model	
product brand name	SENTRON
product designation	External current sensor
design of the product	external current sensor for the neutral pole, for busbar connection (including copper busbar)

General technical data	
size of the circuit-breaker	1
Net Weight	1.573 kg

Approvals Certificates		
General Product Approval	EMV	Test Certificates



EG-Konf.

[Confirmation](#)



RCM

[Miscellaneous](#)

Test Certificates	Maritime application	other
-------------------	----------------------	-------

[Special Test Certificate](#)

[Type Test Certificates/Test Report](#)



URS



[Confirmation](#)

### Further information

#### Information on the packaging

<https://support.industry.siemens.com/cs/ww/en/view/109813875>

#### Information for data generation and storage

<https://support.industry.siemens.com/cs/ww/en/view/109995012>

#### Information- and Downloadcenter (Catalogs, Brochures,...)

<https://www.siemens.com/lowvoltage/catalogs>

#### Industry Mall (Online ordering system)

<https://mall.industry.siemens.com/mall/en/en/Catalog/product?mlfb=3WA9111-0AA31>

#### Service&Support (Manuals, Certificates, Characteristics, FAQs,...)

<https://support.industry.siemens.com/cs/ww/en/ps/3WA9111-0AA31>

#### Image database (product images, 2D dimension drawings, 3D models, device circuit diagrams, ...)

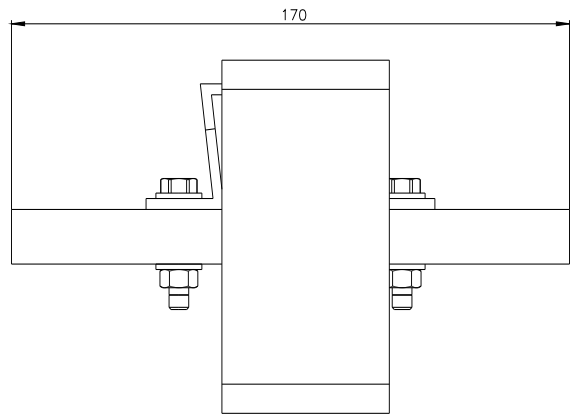
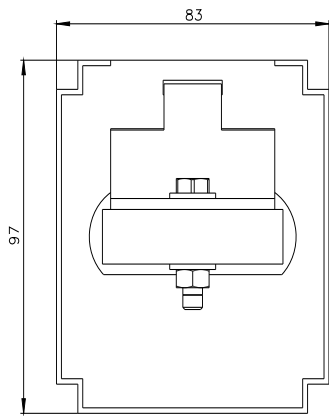
[https://www.automation.siemens.com/bilddb/cax\\_en.aspx?mlfb=3WA9111-0AA31](https://www.automation.siemens.com/bilddb/cax_en.aspx?mlfb=3WA9111-0AA31)

#### CAX-Online-Generator

<https://www.siemens.com/cax>

#### Tender specifications

<https://www.siemens.com/specifications>



---

last modified:

4/8/2025 