

accessories 3WA / 3WL undervoltage release (UVR-t), long-time delayed 0.2-3.2 s  
48 V DC (version 1) emergency shutdown loop max. 100 m cable length or 50 m  
cable length

Model	
product brand name	SENTRON
product designation	Undervoltage release
design of the product	undervoltage release (UVR-t), time delay 0.2 to 3.2 s, 60 V DC
design of the fuse link	fuse gG: 2 A, miniature circuit breaker C characteristic: 4 A, miniature circuit breaker D characteristic: 2 A
closing active power [W]	50 W
operating active power [W]	5 W
OFF-delay time minimum	200 ms
OFF-delay time maximum	3 200 ms
Net Weight	717 g
ambient temperature during operation	
• minimum	-40 °C
• maximum	70 °C
ambient temperature during storage	
• minimum	-40 °C
• maximum	80 °C

Approvals Certificates	
General Product Approval	EMV



[Confirmation](#)



Test Certificates	Maritime application	other
-------------------	----------------------	-------

[Miscellaneous](#)

[Type Test Certificates/Test Report](#)

[Special Test Certificate](#)



[Confirmation](#)

Dangerous goods
-----------------

[Transport Information](#)

[Dangerous goods information](#)

## Further information

### Information on the packaging

<https://support.industry.siemens.com/cs/ww/en/view/109813875>

### Information for data generation and storage

<https://support.industry.siemens.com/cs/ww/en/view/109995012>

### Information- and Downloadcenter (Catalogs, Brochures,...)

<https://www.siemens.com/lowvoltage/catalogs>

### Industry Mall (Online ordering system)

<https://mall.industry.siemens.com/mall/en/en/Catalog/product?mlfb=3WA9111-0AE13>

### Service&Support (Manuals, Certificates, Characteristics, FAQs,...)

<https://support.industry.siemens.com/cs/ww/en/ps/3WA9111-0AE13>

### Image database (product images, 2D dimension drawings, 3D models, device circuit diagrams, ...)

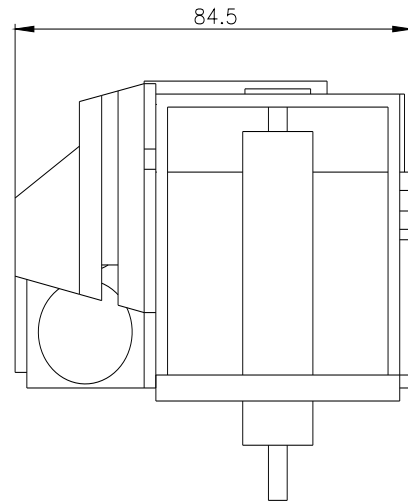
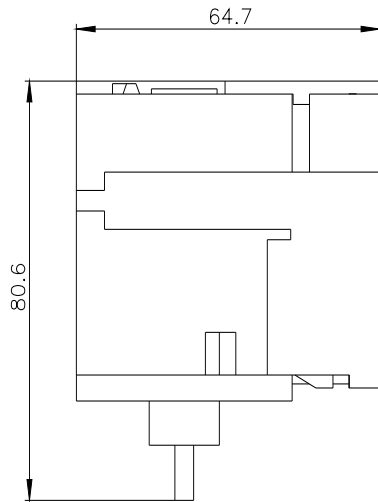
[https://www.automation.siemens.com/bilddb/cax\\_en.aspx?mlfb=3WA9111-0AE13](https://www.automation.siemens.com/bilddb/cax_en.aspx?mlfb=3WA9111-0AE13)

### CAX-Online-Generator

<https://www.siemens.com/cax>

### Tender specifications

<https://www.siemens.com/specifications>



last modified:

4/4/2025 

