

accessories 3WA / 3WL undervoltage release (UVR-t), long-time delayed 0.2-3.2 s
110-127 V AC / 110-125 V DC (version 1) emergency shutdown loop max. 100 m
cable length or 50 m cable length

Model	
product brand name	SENTRON
product designation	Undervoltage release
design of the product	undervoltage release (UVR-t), time delay 0.2 to 3.2 s, 110 to 127 V AC / 110 to 125 V DC
design of the fuse link	fuse gG: 2 A, miniature circuit breaker C characteristic: 4 A, miniature circuit breaker D characteristic: 2 A
closing apparent power [VA]	60 VA
operating apparent power [VA]	5 VA
closing active power [W]	50 W
operating active power [W]	5 W
OFF-delay time minimum	200 ms
OFF-delay time maximum	3 200 ms
control supply voltage (Us) at AC rated value	110 to 127 V 50/60 Hz
Net Weight	840 g
ambient temperature during operation	
• minimum	-40 °C
• maximum	70 °C
ambient temperature during storage	
• minimum	-40 °C
• maximum	80 °C

Approvals Certificates	
General Product Approval	EMV

[Confirmation](#)



Test Certificates	Maritime application	other
-------------------	----------------------	-------

[Special Test Certificate](#)

[Miscellaneous](#)

[Type Test Certificates/Test Report](#)



[Confirmation](#)

Dangerous goods

[Dangerous goods in-](#)

[formation](#)

Further information

Information on the packaging

<https://support.industry.siemens.com/cs/ww/en/view/109813875>

Information for data generation and storage

<https://support.industry.siemens.com/cs/ww/en/view/109995012>

Information- and Downloadcenter (Catalogs, Brochures,...)

<https://www.siemens.com/lowvoltage/catalogs>

Industry Mall (Online ordering system)

<https://mall.industry.siemens.com/mall/en/en/Catalog/product?mlfb=3WA9111-0AE15>

Service&Support (Manuals, Certificates, Characteristics, FAQs,...)

<https://support.industry.siemens.com/cs/ww/en/ps/3WA9111-0AE15>

Image database (product images, 2D dimension drawings, 3D models, device circuit diagrams, ...)

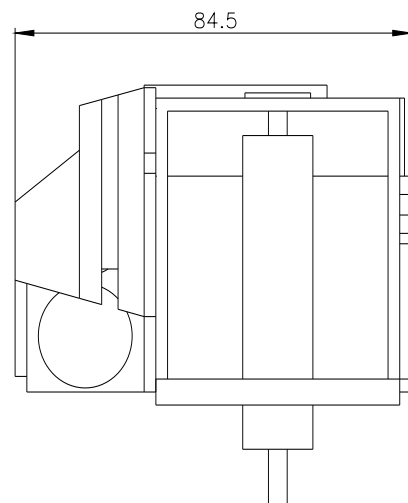
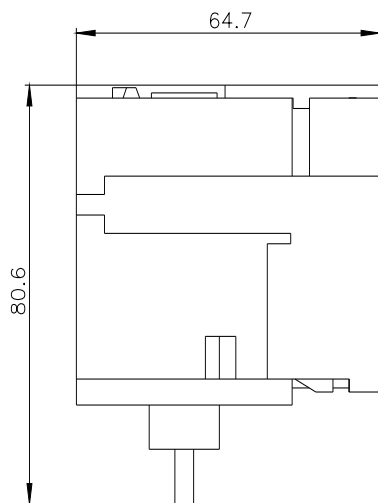
https://www.automation.siemens.com/bilddb/cax_en.aspx?mlfb=3WA9111-0AE15

CAX-Online-Generator

<https://www.siemens.com/cax>

Tender specifications

<https://www.siemens.com/specifications>



last modified:

4/4/2025 

