

accessories 3WA / 3WL undervoltage release (UVR-t), long-time delayed 0.2-3.2 s  
208-240 V AC / 220-250 V DC (version 1) emergency shutdown loop max. 100 m  
cable length or 50 m cable length

Model	
product brand name	SENTRON
product designation	Undervoltage release
design of the product	undervoltage release (UVR-t), time delay 0.2 to 3.2 s, 208 to 240 V AC / 220 to 250 V DC
design of the fuse link	fuse gG: 2 A, miniature circuit breaker C characteristic: 6 A, miniature circuit breaker D characteristic: 4 A
closing apparent power [VA]	60 VA
operating apparent power [VA]	5 VA
closing active power [W]	50 W
operating active power [W]	5 W
OFF-delay time minimum	200 ms
OFF-delay time maximum	3 200 ms
control supply voltage (Us) at AC rated value	208 to 240 V 50/60 Hz
Net Weight	766 g
ambient temperature during operation	
• minimum	-40 °C
• maximum	70 °C
ambient temperature during storage	
• minimum	-40 °C
• maximum	80 °C

Approvals Certificates	
General Product Approval	EMV Test Certificates



[Miscellaneous](#)

Test Certificates	Maritime application	other	Dangerous goods
<a href="#">Type Test Certificates/Test Report</a> <a href="#">Special Test Certificate</a>			<a href="#">Confirmation</a> <a href="#">Transport Information</a>

Dangerous goods

[Dangerous goods in-](#)

[formation](#)

#### Further information

**Information on the packaging**

<https://support.industry.siemens.com/cs/ww/en/view/109813875>

**Information for data generation and storage**

<https://support.industry.siemens.com/cs/ww/en/view/109995012>

**Information- and Downloadcenter (Catalogs, Brochures,...)**

<https://www.siemens.com/lowvoltage/catalogs>

**Industry Mall (Online ordering system)**

<https://mall.industry.siemens.com/mall/en/en/Catalog/product?mlfb=3WA9111-0AE16>

**Service&Support (Manuals, Certificates, Characteristics, FAQs,...)**

<https://support.industry.siemens.com/cs/ww/en/ps/3WA9111-0AE16>

**Image database (product images, 2D dimension drawings, 3D models, device circuit diagrams, ...)**

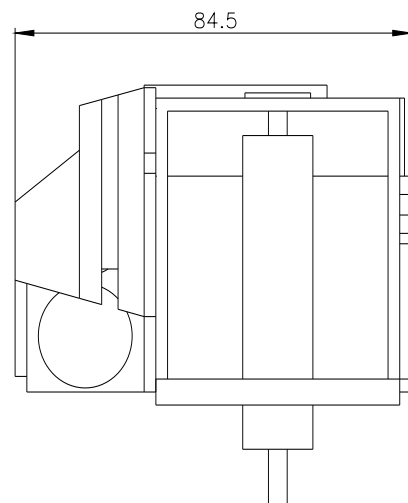
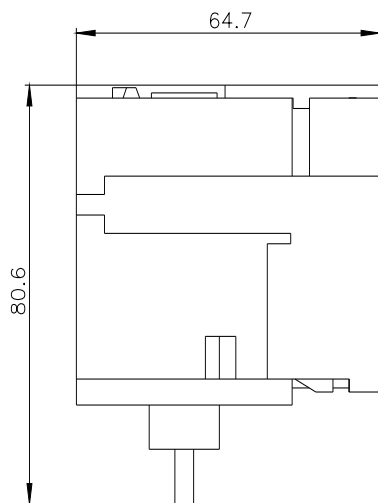
[https://www.automation.siemens.com/bilddb/cax\\_en.aspx?mlfb=3WA9111-0AE16](https://www.automation.siemens.com/bilddb/cax_en.aspx?mlfb=3WA9111-0AE16)

**CAX-Online-Generator**

<https://www.siemens.com/cax>

**Tender specifications**

<https://www.siemens.com/specifications>



last modified:

4/4/2025 

