

accessories 3WA / 3WL undervoltage release (UVR-t), long-time delayed 0.2-3.2 s
380-415 V AC (version 1) emergency shutdown loop max. 100 m cable length or
50 m cable length

| Model | |
|---|--|
| product brand name | SETRON |
| product designation | Undervoltage release |
| design of the product | undervoltage release (UVR-t), time delay 0.2 to 3.2 s, 380 to 415 V AC |
| design of the fuse link | fuse gG: 2 A, miniature circuit breaker C characteristic: 6 A, miniature circuit breaker D characteristic: 4 A |
| closing apparent power [VA] | 60 VA |
| operating apparent power [VA] | 5 VA |
| OFF-delay time minimum | 200 ms |
| OFF-delay time maximum | 3 200 ms |
| control supply voltage (Us) at AC rated value | 380 to 415 V 50/60Hz |
| Net Weight | 866 g |
| ambient temperature during operation | |
| • minimum | -40 °C |
| • maximum | 70 °C |
| ambient temperature during storage | |
| • minimum | -40 °C |
| • maximum | 80 °C |

| Approvals Certificates | |
|--------------------------|-----|
| General Product Approval | EMV |

[Confirmation](#)



EG-Konf.



RCM

| Test Certificates | Maritime application | other | Dangerous goods |
|-------------------------------|--|-------|-----------------|
| Miscellaneous | Special Test Certificate | | |

[Miscellaneous](#)

[Special Test Certificate](#)



[Confirmation](#)

[Dangerous goods information](#)

Further information

Information on the packaging

<https://support.industry.siemens.com/cs/ww/en/view/109813875>

Information for data generation and storage

<https://support.industry.siemens.com/cs/ww/en/view/109995012>

Information- and Downloadcenter (Catalogs, Brochures,...)

<https://www.siemens.com/lowvoltage/catalogs>

Industry Mall (Online ordering system)

<https://mall.industry.siemens.com/mall/en/en/Catalog/product?mlfb=3WA9111-0AE17>

Service&Support (Manuals, Certificates, Characteristics, FAQs,...)

<https://support.industry.siemens.com/cs/ww/en/ps/3WA9111-0AE17>

Image database (product images, 2D dimension drawings, 3D models, device circuit diagrams, ...)

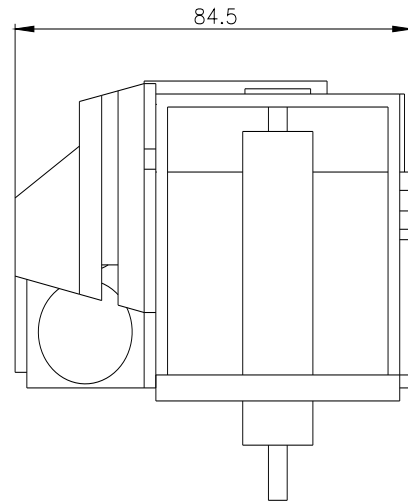
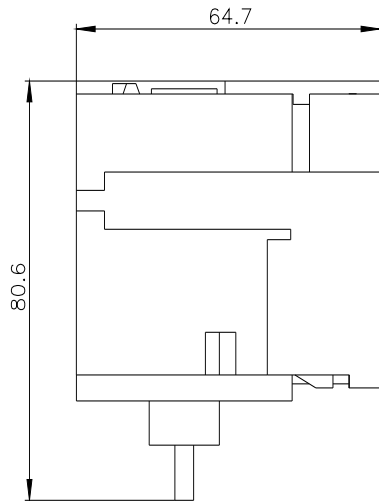
https://www.automation.siemens.com/bilddb/cax_en.aspx?mlfb=3WA9111-0AE17

CAX-Online-Generator

<https://www.siemens.com/cax>

Tender specifications

<https://www.siemens.com/specifications>



last modified:

4/4/2025 

