



Accessory 3WA/3WL Charging Motor (M) 110-127 V AC / 110-125 V DC

Model	
product brand name	SETRON
product designation	Motorized operating mechanism
design of the product	MO spring charging motor
operating apparent power [VA]	135 VA
electrical endurance (operating cycles)	30 000
operating frequency maximum	60 1/h
time for clamping of the spring energy store with control supply voltage (Us)	10 s
control supply voltage at DC rated value maximum	125 V
design of the DIAZED fuse link gG for short-circuit protection minimum permissible	2 A (fuse gG: 2 A, miniature circuit breaker C characteristic: 2 A)
Net Weight	1.643 kg
ambient temperature during operation	
• minimum	-40 °C
• maximum	70 °C
ambient temperature during storage	
• minimum	-40 °C
• maximum	80 °C

Approvals Certificates	
General Product Approval	EMV



[Confirmation](#)



Test Certificates	Maritime application	other
Miscellaneous Type Test Certificates/Test Report Special Test Certificate		 Confirmation

Dangerous goods
Transport Information Dangerous goods information

Further information

Information on the packaging

<https://support.industry.siemens.com/cs/ww/en/view/109813875>

Information for data generation and storage

<https://support.industry.siemens.com/cs/ww/en/view/109995012>

Information- and Downloadcenter (Catalogs, Brochures,...)

<https://www.siemens.com/lowvoltage/catalogs>

Industry Mall (Online ordering system)

<https://mall.industry.siemens.com/mall/en/en/Catalog/product?mlfb=3WA9111-0AF05>

Service&Support (Manuals, Certificates, Characteristics, FAQs,...)

<https://support.industry.siemens.com/cs/ww/en/ps/3WA9111-0AF05>

Image database (product images, 2D dimension drawings, 3D models, device circuit diagrams, ...)

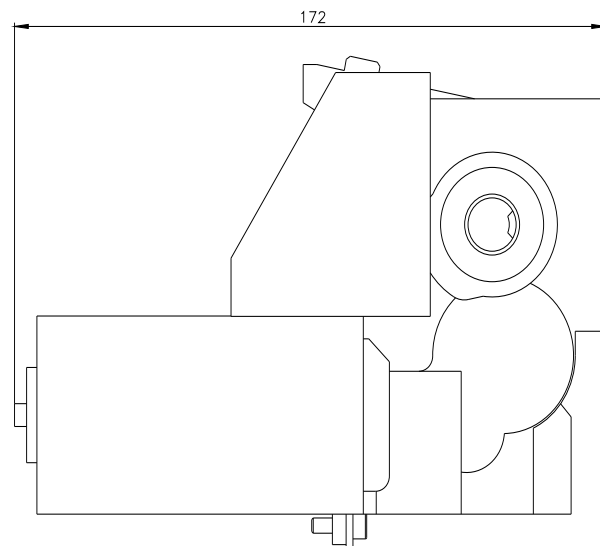
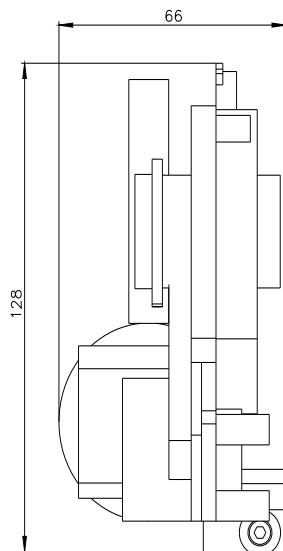
https://www.automation.siemens.com/bilddb/cax_en.aspx?mlfb=3WA9111-0AF05

CAX-Online-Generator

<https://www.siemens.com/cax>

Tender specifications

<https://www.siemens.com/specifications>



last modified:

8/5/2025 

