



Accessory Circuit breaker 3WA, Local electric close with CES lock



Model	
product brand name	SENTRON
product designation	Local electric close
design of the product	local electric close, key operation with CES lock
Net Weight	191 g

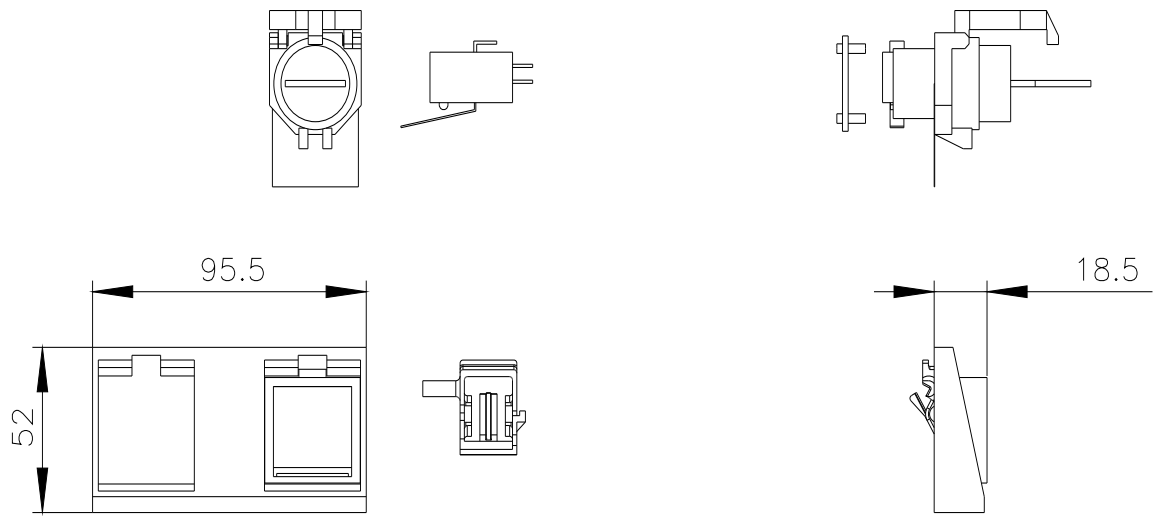
Approvals Certificates

General Product Approval	EMV	Test Certificates
Confirmation   		Special Test Certificate

Test Certificates	Maritime application	other	Dangerous goods
Miscellaneous Type Test Certificates/Test Report			Confirmation Dangerous goods information

Further information

- Information on the packaging
<https://support.industry.siemens.com/cs/ww/en/view/109813875>
- Information for data generation and storage
<https://support.industry.siemens.com/cs/ww/en/view/109995012>
- Information- and Downloadcenter (Catalogs, Brochures,...)
<https://www.siemens.com/lowvoltage/catalogs>
- Industry Mall (Online ordering system)
<https://mall.industry.siemens.com/mall/en/en/Catalog/product?mlfb=3WA9111-0AH22>
- Service&Support (Manuals, Certificates, Characteristics, FAQs,...)
<https://support.industry.siemens.com/cs/ww/en/ps/3WA9111-0AH22>
- Image database (product images, 2D dimension drawings, 3D models, device circuit diagrams, ...)
https://www.automation.siemens.com/bilddb/cax_en.aspx?mlfb=3WA9111-0AH22
- CAx-Online-Generator
<https://www.siemens.com/cax>
- Tender specifications
<https://www.siemens.com/specifications>



last modified:

4/13/2025 

