

Accessory Circuit breaker 3WA, Vertical main connections top or bottom, 1 piece for frame size 2 - bis 3200 A AC and up to 4000A DC, for circuit breaker in fixed mounted design

Model	
product brand name	SENTRON
product designation	Vertical main connections
design of the product	front connection for fixed-mounted circuit breakers

General technical data	
size of the circuit-breaker	2
switching capacity class of the circuit breaker	S, M, H, C, E, D
Net Weight	1.8 kg

Approvals Certificates		
General Product Approval	EMV	Test Certificates

[Confirmation](#)



[Miscellaneous](#)

Test Certificates	Maritime application	other
-------------------	----------------------	-------

[Special Test Certificate](#)



[Confirmation](#)

Further information

Information on the packaging

<https://support.industry.siemens.com/cs/ww/en/view/109813875>

Information for data generation and storage

<https://support.industry.siemens.com/cs/ww/en/view/109995012>

Information- and Downloadcenter (Catalogs, Brochures,...)

<https://www.siemens.com/lowvoltage/catalogs>

Industry Mall (Online ordering system)

<https://mall.industry.siemens.com/mall/en/en/Catalog/product?mlfb=3WA9111-0AM21>

Service&Support (Manuals, Certificates, Characteristics, FAQs,...)

<https://support.industry.siemens.com/cs/ww/en/ps/3WA9111-0AM21>

Image database (product images, 2D dimension drawings, 3D models, device circuit diagrams, ...)

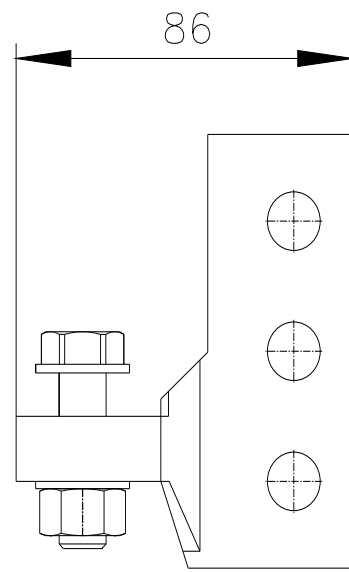
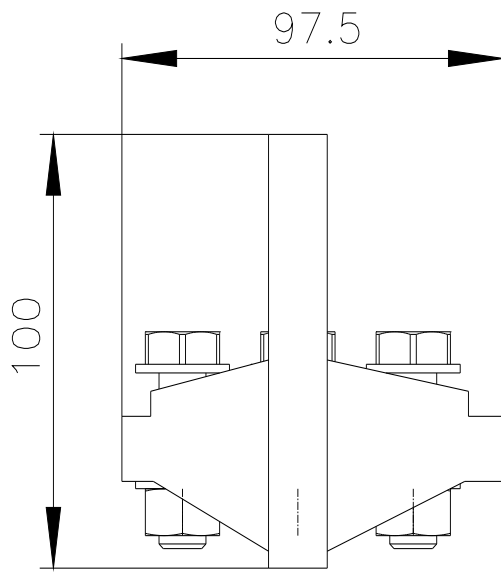
https://www.automation.siemens.com/bilddb/cax_en.aspx?mlfb=3WA9111-0AM21

CAX-Online-Generator

<https://www.siemens.com/cax>

Tender specifications

<https://www.siemens.com/specifications>



last modified:

4/13/2025 

