

Accessory Circuit breaker 3WA, Rear vertical main- connection, top or bottom, frame size 2 - 3200 A AC and for 4000A DC, not for breaking capacity C for withdrawable design, 1 piece

Model	
product brand name	SENTRON
product designation	Rear vertical main connections
design of the product	rear vertical main connections for withdrawable circuit breakers

General technical data	
size of the circuit-breaker	2
switching capacity class of the circuit breaker	S, M, H, E, D
Net Weight	2 328.44 g

Approvals Certificates		
General Product Approval	EMV	Test Certificates

[Confirmation](#)



[Miscellaneous](#)

Test Certificates	Maritime application	other
-------------------	----------------------	-------

[Type Test Certificates/Test Report](#)

[Special Test Certificate](#)



[Confirmation](#)

Further information

Information on the packaging

<https://support.industry.siemens.com/cs/ww/en/view/109813875>

Information for data generation and storage

<https://support.industry.siemens.com/cs/ww/en/view/109995012>

Information- and Downloadcenter (Catalogs, Brochures,...)

<https://www.siemens.com/lowvoltage/catalogs>

Industry Mall (Online ordering system)

<https://mall.industry.siemens.com/mall/en/en/Catalog/product?mlfb=3WA9111-0AV23>

Service&Support (Manuals, Certificates, Characteristics, FAQs,...)

<https://support.industry.siemens.com/cs/ww/en/ps/3WA9111-0AV23>

Image database (product images, 2D dimension drawings, 3D models, device circuit diagrams, ...)

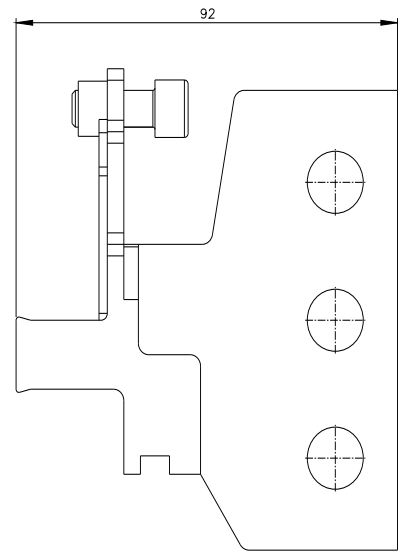
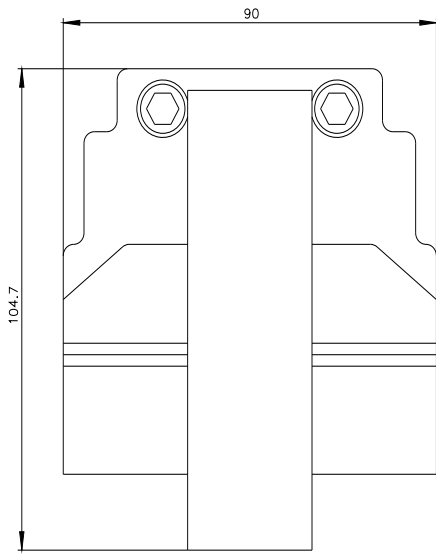
https://www.automation.siemens.com/bilddb/cax_en.aspx?mlfb=3WA9111-0AV23

CAX-Online-Generator

<https://www.siemens.com/cax>

Tender specifications

<https://www.siemens.com/specifications>



last modified:

4/13/2025 

