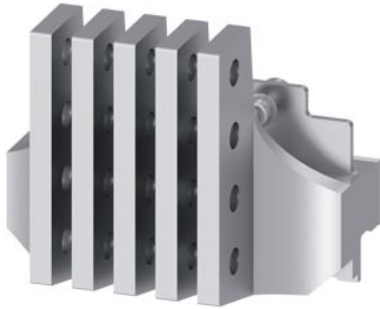


Accessory Circuit breaker 3WA, Rear vertical main- connection, top or bottom, frame size 3 - up to 5000 A for circuit breaker in withdrawable design, 1 piece



Model	
product brand name	SENTRON
product designation	Rear vertical main connections
design of the product	rear vertical main connections for withdrawable circuit breakers

General technical data	
size of the circuit-breaker	3
switching capacity class of the circuit breaker	H, E, C
Net Weight	6.397 kg

Approvals Certificates		
General Product Approval	EMV	Test Certificates



EG-Konf.



RCM

[Miscellaneous](#)

[Type Test Certificates/Test Report](#)

Test Certificates	Maritime application	other
-------------------	----------------------	-------

[Special Test Certificate](#)



LRS



[Confirmation](#)

Further information

Information on the packaging

<https://support.industry.siemens.com/cs/ww/en/view/109813875>

Information for data generation and storage

<https://support.industry.siemens.com/cs/ww/en/view/109995012>

Information- and Downloadcenter (Catalogs, Brochures,...)

<https://www.siemens.com/lowvoltage/catalogs>

Industry Mall (Online ordering system)

<https://mall.industry.siemens.com/mall/en/en/Catalog/product?mlfb=3WA9111-0AV31>

Service&Support (Manuals, Certificates, Characteristics, FAQs,...)

<https://support.industry.siemens.com/cs/ww/en/ps/3WA9111-0AV31>

Image database (product images, 2D dimension drawings, 3D models, device circuit diagrams, ...)

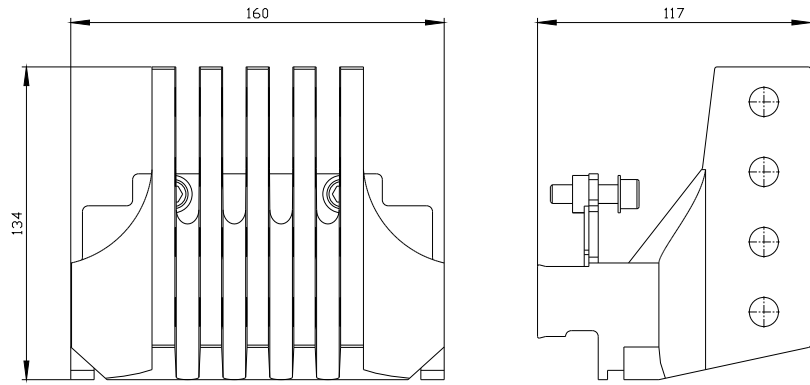
https://www.automation.siemens.com/bilddb/cax_en.aspx?mlfb=3WA9111-0AV31

CAX-Online-Generator

<https://www.siemens.com/cax>

Tender specifications

<https://www.siemens.com/specifications>



last modified:

4/13/2025 