



Accessory Circuit breaker 3WA, Flange main connection top or bottom, for frame size 1 - up to 1000 A for circuit breaker in withdrawable design, 1 piece

Model		
product brand name	SENTRON	
product designation	Flange connection	
design of the product	flange connection for withdrawable circuit breakers	
General technical data		
size of the circuit-breaker	1	
switching capacity class of the circuit breaker	N, S	
Net Weight	645 g	
Approvals Certificates		
General Product Approval	EMV	Test Certificates



[Confirmation](#)



[Miscellaneous](#)

other



[Confirmation](#)

Further information

Information on the packaging

<https://support.industry.siemens.com/cs/ww/en/view/109813875>

Information for data generation and storage

<https://support.industry.siemens.com/cs/ww/en/view/109995012>

Information- and Downloadcenter (Catalogs, Brochures,...)

<https://www.siemens.com/lowvoltage/catalogs>

Industry Mall (Online ordering system)

<https://mall.industry.siemens.com/mall/en/en/Catalog/product?mlfb=3WA9111-0AW11>

Service&Support (Manuals, Certificates, Characteristics, FAQs,...)

<https://support.industry.siemens.com/cs/ww/en/ps/3WA9111-0AW11>

Image database (product images, 2D dimension drawings, 3D models, device circuit diagrams, ...)

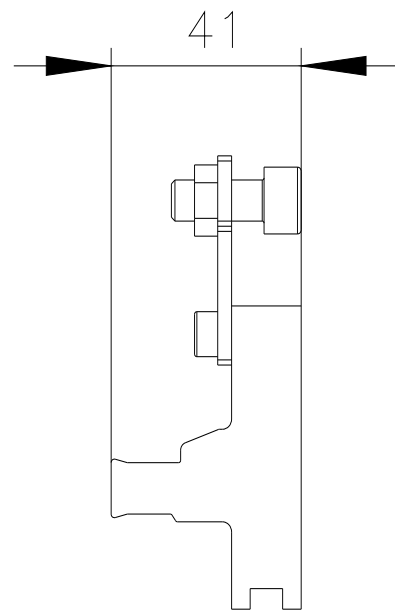
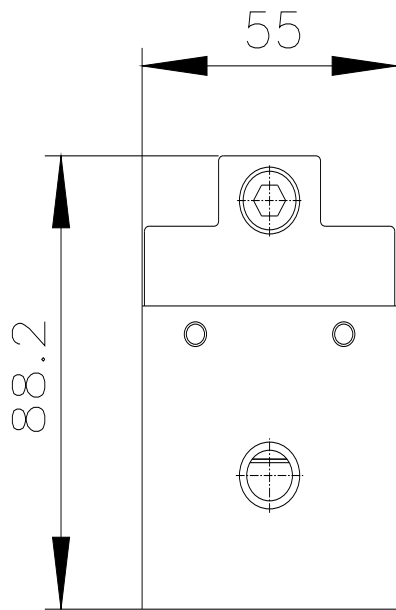
https://www.automation.siemens.com/bilddb/cax_en.aspx?mlfb=3WA9111-0AW11

CAX-Online-Generator

<https://www.siemens.com/cax>

Tender specifications

<https://www.siemens.com/specifications>



last modified:

4/13/2025 