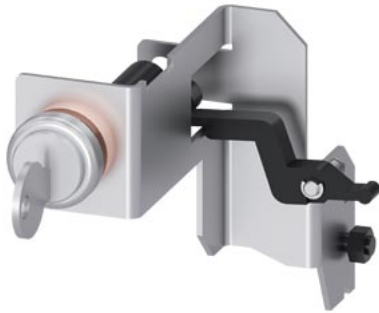








Accessory Circuit breaker 3WA, Racking handle key-lock with CES lock Spare part for Z-option S71



| Model                 |  |
|-----------------------|--|
| product brand name    | SENTRON  |
| product designation   | Safety lock  |
| design of the product | Safety lock for racking handle. Key operation with CES lock. |
| Net Weight            | 264 g  |

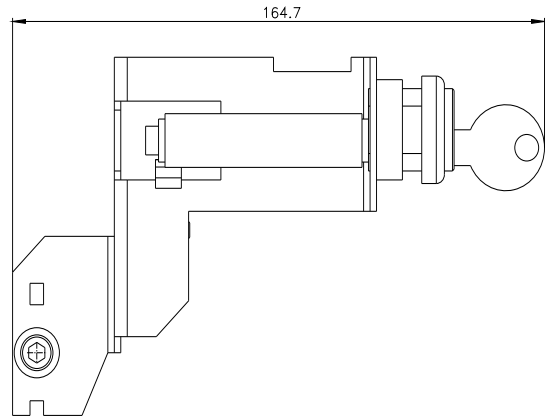
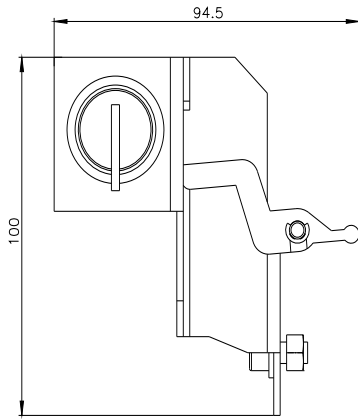
### Approvals Certificates

| General Product Approval  | EMV   | Test Certificates  |
|---|---|--|
|    |  | <a href="#">Miscellaneous</a> <a href="#">Special Test Certificate</a> |

| Test Certificates                                  | Maritime application  | other  |
|--|---|--|
| <a href="#">Type Test Certificates/Test Report</a> |  | <a href="#">Confirmation</a>  |

### Further information

- Information on the packaging  
<https://support.industry.siemens.com/cs/ww/en/view/109813875>
- Information for data generation and storage  
<https://support.industry.siemens.com/cs/ww/en/view/109995012>
- Information- and Downloadcenter (Catalogs, Brochures,...)  
<https://www.siemens.com/lowvoltage/catalogs>
- Industry Mall (Online ordering system)  
<https://mall.industry.siemens.com/mall/en/en/Catalog/product?mlfb=3WA9111-0BA73>
- Service&Support (Manuals, Certificates, Characteristics, FAQs,...)  
<https://support.industry.siemens.com/cs/ww/en/ps/3WA9111-0BA73>
- Image database (product images, 2D dimension drawings, 3D models, device circuit diagrams, ...)  
[https://www.automation.siemens.com/bilddb/cax\\_en.aspx?mlfb=3WA9111-0BA73](https://www.automation.siemens.com/bilddb/cax_en.aspx?mlfb=3WA9111-0BA73)
- CAx-Online-Generator  
<https://www.siemens.com/cax>
- Tender specifications  
<https://www.siemens.com/specifications>



---

last modified:

4/4/2025 

