

Accessory Circuit breaker 3WA, Locking provision against movement of the withdrawable circuit breakers with IKON lock.



Model	
product brand name	SENTRON
product designation	padlock device
design of the product	Locking devices to prevent racking of the withdrawable circuit breaker. Key operation with IKON lock.
Net Weight	279.72 g

Approvals Certificates		
General Product Approval	EMV	Test Certificates

[Confirmation](#)



[Miscellaneous](#)

Test Certificates	Maritime application	other
-------------------	----------------------	-------

[Type Test Certificates/Test Report](#)

[Special Test Certificate](#)



[Confirmation](#)

Further information

Information on the packaging

<https://support.industry.siemens.com/cs/ww/en/view/109813875>

Information for data generation and storage

<https://support.industry.siemens.com/cs/ww/en/view/109995012>

Information- and Downloadcenter (Catalogs, Brochures,...)

<https://www.siemens.com/lowvoltage/catalogs>

Industry Mall (Online ordering system)

<https://mall.industry.siemens.com/mall/en/en/Catalog/product?mlfb=3WA9111-0BA75>

Service&Support (Manuals, Certificates, Characteristics, FAQs,...)

<https://support.industry.siemens.com/cs/ww/en/ps/3WA9111-0BA75>

Image database (product images, 2D dimension drawings, 3D models, device circuit diagrams, ...)

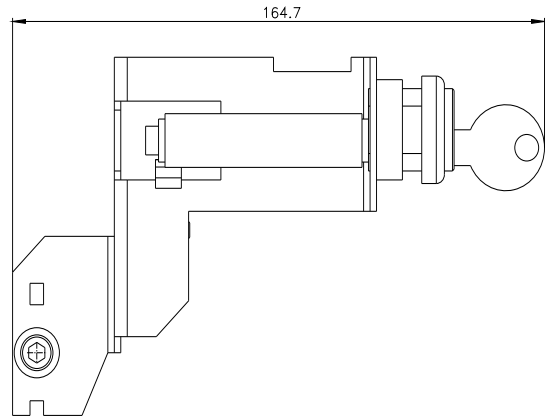
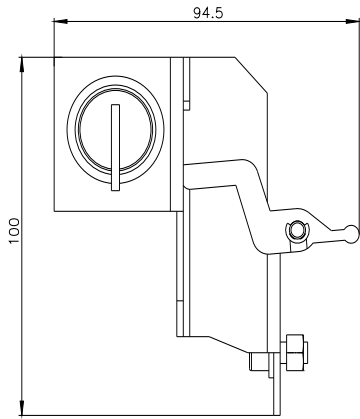
https://www.automation.siemens.com/bilddb/cax_en.aspx?mlfb=3WA9111-0BA75

CAX-Online-Generator

<https://www.siemens.com/cax>

Tender specifications

<https://www.siemens.com/specifications>



last modified:

4/4/2025 