

Accessory Circuit breaker 3WA, Locking provision against movement of the withdrawable circuit breakers with RONIS lock. Spare part for Z-option S76



Model	
product brand name	SENTRON
product designation	padlock device
design of the product	Locking devices to prevent racking of the withdrawable circuit breaker. Key operation with RONIS lock.
Net Weight	334 g

Approvals Certificates		
General Product Approval	EMV	Test Certificates



[Type Test Certificates/Test Report](#)

[Miscellaneous](#)

Test Certificates	Maritime application	other
-------------------	----------------------	-------

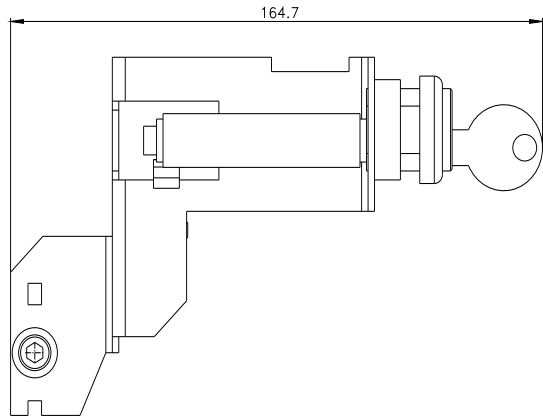
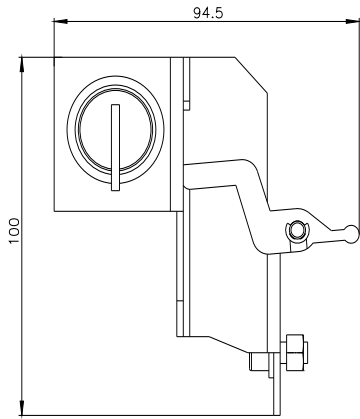
[Special Test Certificate](#)



[Confirmation](#)

### Further information

- Information on the packaging  
<https://support.industry.siemens.com/cs/ww/en/view/109813875>
- Information for data generation and storage  
<https://support.industry.siemens.com/cs/ww/en/view/109995012>
- Information- and Downloadcenter (Catalogs, Brochures,...)  
<https://www.siemens.com/lowvoltage/catalogs>
- Industry Mall (Online ordering system)  
<https://mall.industry.siemens.com/mall/en/en/Catalog/product?mlfb=3WA9111-0BA77>
- Service&Support (Manuals, Certificates, Characteristics, FAQs,...)  
<https://support.industry.siemens.com/cs/ww/en/ps/3WA9111-0BA77>
- Image database (product images, 2D dimension drawings, 3D models, device circuit diagrams, ...)  
[https://www.automation.siemens.com/bilddb/cax\\_en.aspx?mlfb=3WA9111-0BA77](https://www.automation.siemens.com/bilddb/cax_en.aspx?mlfb=3WA9111-0BA77)
- CAX-Online-Generator  
<https://www.siemens.com/cax>
- Tender specifications  
<https://www.siemens.com/specifications>



---

last modified:

4/4/2025 

