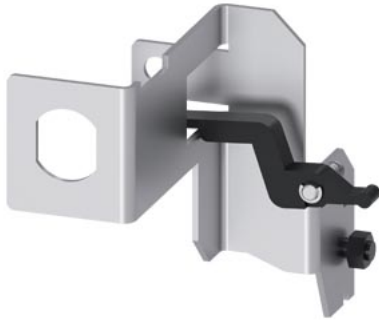


Accessory Circuit breaker 3WA, Locking provision against movement of the withdrawable circuit breakers with KIRK-key lock the lock must be ordered at the manufacturer





Model	
product brand name	SENTRON
product designation	padlock device
design of the product	Locking devices to prevent racking of the withdrawable circuit breaker. Key operation with KIRK-KEY lock.
Net Weight	167.72 g

### Approvals Certificates

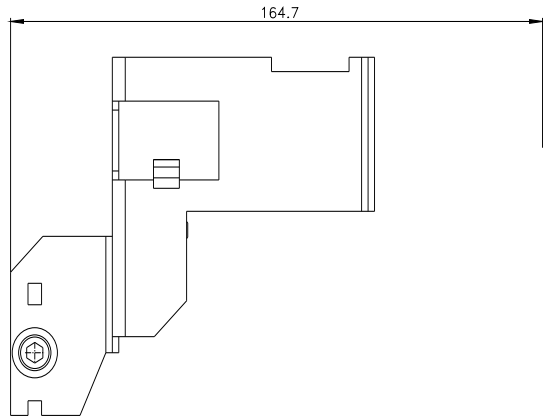
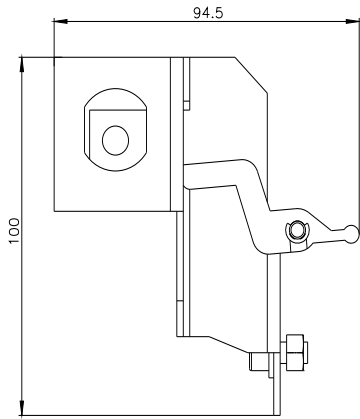
General Product Approval	EMV	Test Certificates
<a href="#">Confirmation</a>  <small>EG-Konf.</small>		 <small>RCM</small>
		<a href="#">Miscellaneous</a> <a href="#">Special Test Certificate</a>

### Test Certificates

Test Certificates	Maritime application	other
<a href="#">Type Test Certificates/Test Report</a>	 <small>LRS</small>	<a href="#">Confirmation</a> 

### Further information

- Information on the packaging  
<https://support.industry.siemens.com/cs/ww/en/view/109813875>
- Information for data generation and storage  
<https://support.industry.siemens.com/cs/ww/en/view/109995012>
- Information- and Downloadcenter (Catalogs, Brochures,...)  
<https://www.siemens.com/lowvoltage/catalogs>
- Industry Mall (Online ordering system)  
<https://mall.industry.siemens.com/mall/en/en/Catalog/product?mlfb=3WA9111-0BA80>
- Service&Support (Manuals, Certificates, Characteristics, FAQs,...)  
<https://support.industry.siemens.com/cs/ww/en/ps/3WA9111-0BA80>
- Image database (product images, 2D dimension drawings, 3D models, device circuit diagrams, ...)  
[https://www.automation.siemens.com/bilddb/cax\\_en.aspx?mlfb=3WA9111-0BA80](https://www.automation.siemens.com/bilddb/cax_en.aspx?mlfb=3WA9111-0BA80)
- CAX-Online-Generator  
<https://www.siemens.com/cax>
- Tender specifications  
<https://www.siemens.com/specifications>



---

last modified:

4/4/2025 

