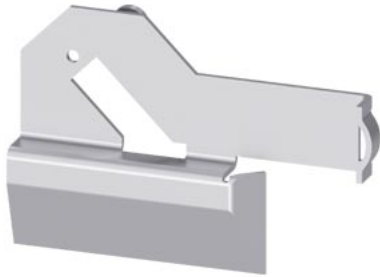


Accessory Circuit breaker 3WA, Mechanical interlock to prevent racking of the circuit breaker for withdrawable design, if circuit breaker compartment door is open. Not possible in combination with R81, R85, R86 Spare parts for Z-option S50



Model	
product brand name	SENTRON
product designation	locking mechanism
design of the product	locking provision to prevent racking of the withdrawable circuit breaker when the control cabinet door is open
Net Weight	200 g

Approvals Certificates		
General Product Approval	EMV	Test Certificates



[Miscellaneous](#)

[Special Test Certificate](#)

Test Certificates	Maritime application	other
-------------------	----------------------	-------

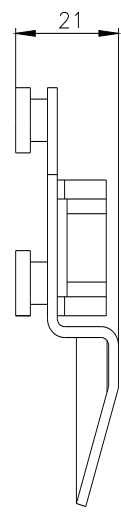
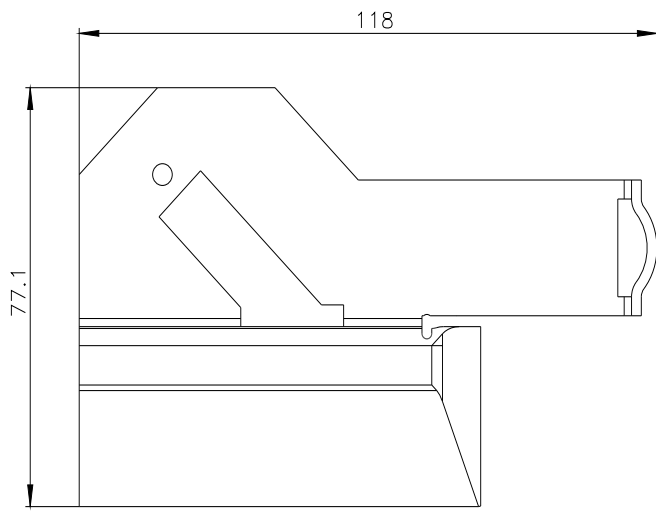
[Type Test Certificates/Test Report](#)



[Confirmation](#)

Further information

- Information on the packaging
<https://support.industry.siemens.com/cs/ww/en/view/109813875>
- Information for data generation and storage
<https://support.industry.siemens.com/cs/ww/en/view/109995012>
- Information- and Downloadcenter (Catalogs, Brochures,...)
<https://www.siemens.com/lowvoltage/catalogs>
- Industry Mall (Online ordering system)
<https://mall.industry.siemens.com/mall/en/en/Catalog/product?mlfb=3WA9111-0BB15>
- Service&Support (Manuals, Certificates, Characteristics, FAQs,...)
<https://support.industry.siemens.com/cs/ww/en/ps/3WA9111-0BB15>
- Image database (product images, 2D dimension drawings, 3D models, device circuit diagrams, ...)
https://www.automation.siemens.com/bilddb/cax_en.aspx?mlfb=3WA9111-0BB15
- CAX-Online-Generator
<https://www.siemens.com/cax>
- Tender specifications
<https://www.siemens.com/specifications>



last modified:

4/8/2025 

