

Accessory Circuit breaker 3WA, Grounding connection between guide frame a. circuit breaker. Contacting module for guide frame, frame size 1 and 2 for 30 kA ground short circuit current for 60 kA ground short circuit current order two times not for breaking capacity C and frame size 2, 4000A

Model	
product brand name	SENTRON
product designation	Grounding connection
design of the product	grounding connection between the guide frame and the circuit breaker

General technical data	
number of poles	4
size of the circuit-breaker	1, 2
Net Weight	340 g

Approvals Certificates		
General Product Approval	EMV	Test Certificates

[Confirmation](#)



[Special Test Certificate](#)

Test Certificates	Maritime application	other	Dangerous goods
-------------------	----------------------	-------	-----------------

[Miscellaneous](#)



[Confirmation](#)



[Dangerous goods information](#)

### Further information

#### Information on the packaging

<https://support.industry.siemens.com/cs/ww/en/view/109813875>

#### Information for data generation and storage

<https://support.industry.siemens.com/cs/ww/en/view/109995012>

#### Information- and Downloadcenter (Catalogs, Brochures,...)

<https://www.siemens.com/lowvoltage/catalogs>

#### Industry Mall (Online ordering system)

<https://mall.industry.siemens.com/mall/en/en/Catalog/product?mlfb=3WA9111-0BG01>

#### Service&Support (Manuals, Certificates, Characteristics, FAQs,...)

<https://support.industry.siemens.com/cs/ww/en/ps/3WA9111-0BG01>

#### Image database (product images, 2D dimension drawings, 3D models, device circuit diagrams, ...)

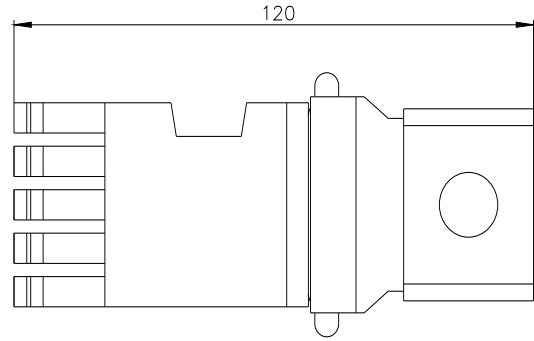
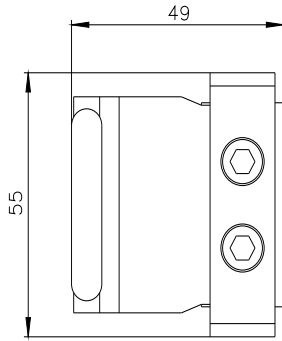
[https://www.automation.siemens.com/bilddb/cax\\_en.aspx?mlfb=3WA9111-0BG01](https://www.automation.siemens.com/bilddb/cax_en.aspx?mlfb=3WA9111-0BG01)

#### CAX-Online-Generator

<https://www.siemens.com/cax>

#### Tender specifications

<https://www.siemens.com/specifications>



---

last modified:

4/10/2025 

