

Accessory Circuit breaker 3WA, Grounding connection between guide frame a. circuit breaker. Contacting module for guide frame, frame size 3 for 30 kA ground short circuit current for 60 kA ground short circuit current order two times not for breaking capacity E



Model	
product brand name	SETRON
product designation	Grounding connection
design of the product	grounding connection between the guide frame and the circuit breaker

General technical data	
size of the circuit-breaker	3
Net Weight	340 g

Approvals Certificates		
General Product Approval	EMV	Test Certificates



[Confirmation](#)



[Special Test Certificate](#)

Test Certificates	Maritime application	other	Dangerous goods
-------------------	----------------------	-------	-----------------

[Miscellaneous](#)



[Confirmation](#)

[Dangerous goods information](#)

Further information

Information on the packaging

<https://support.industry.siemens.com/cs/ww/en/view/109813875>

Information for data generation and storage

<https://support.industry.siemens.com/cs/ww/en/view/109995012>

Information- and Downloadcenter (Catalogs, Brochures,...)

<https://www.siemens.com/lowvoltage/catalogs>

Industry Mall (Online ordering system)

<https://mall.industry.siemens.com/mall/en/en/Catalog/product?mlfb=3WA9111-0BG02>

Service&Support (Manuals, Certificates, Characteristics, FAQs,...)

<https://support.industry.siemens.com/cs/ww/en/ps/3WA9111-0BG02>

Image database (product images, 2D dimension drawings, 3D models, device circuit diagrams, ...)

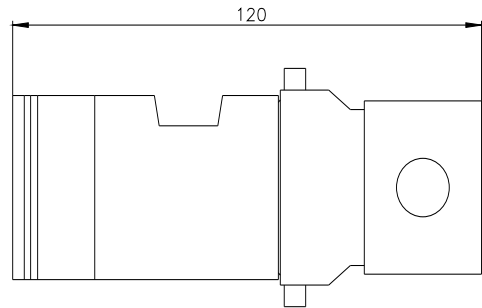
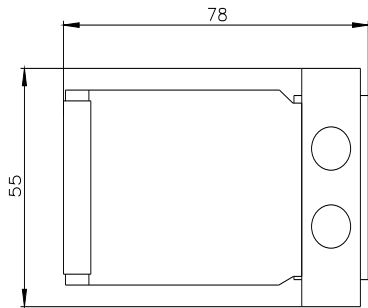
https://www.automation.siemens.com/bilddb/cax_en.aspx?mlfb=3WA9111-0BG02

CAx-Online-Generator

<https://www.siemens.com/cax>

Tender specifications

<https://www.siemens.com/specifications>



last modified:

4/10/2025 

