



Accessory circuit breaker 3WA, Voltage tap Retrofit Kit: V-tap for lower stab contact only for 3WA with breaking capacity N, S, M, H, C, not für E, Set for 3-poles Circuit breaker, Frame size 1

Model	
product brand name	SENTRON
product designation	retrofit kit
design of the product	retrofit of the internal voltage tap on the lower main conducting paths

General technical data	
number of poles	3
size of the circuit-breaker	1
switching capacity class of the circuit breaker	N, S, M, H, C
Net Weight	535.59 g

Approvals Certificates		
General Product Approval	EMV	Test Certificates

[Confirmation](#)



[Miscellaneous](#)

Test Certificates	Maritime application	other	Dangerous goods
-------------------	----------------------	-------	-----------------

[Special Test Certificate](#)

[Type Test Certificates/Test Report](#)



[Confirmation](#)



[Dangerous goods information](#)

Further information

Information on the packaging

<https://support.industry.siemens.com/cs/ww/en/view/109813875>

Information for data generation and storage

<https://support.industry.siemens.com/cs/ww/en/view/109995012>

Information- and Downloadcenter (Catalogs, Brochures,...)

<https://www.siemens.com/lowvoltage/catalogs>

Industry Mall (Online ordering system)

<https://mall.industry.siemens.com/mall/en/en/Catalog/product?mlfb=3WA9111-0EK51>

Service&Support (Manuals, Certificates, Characteristics, FAQs,...)

<https://support.industry.siemens.com/cs/ww/en/ps/3WA9111-0EK51>

Image database (product images, 2D dimension drawings, 3D models, device circuit diagrams, ...)

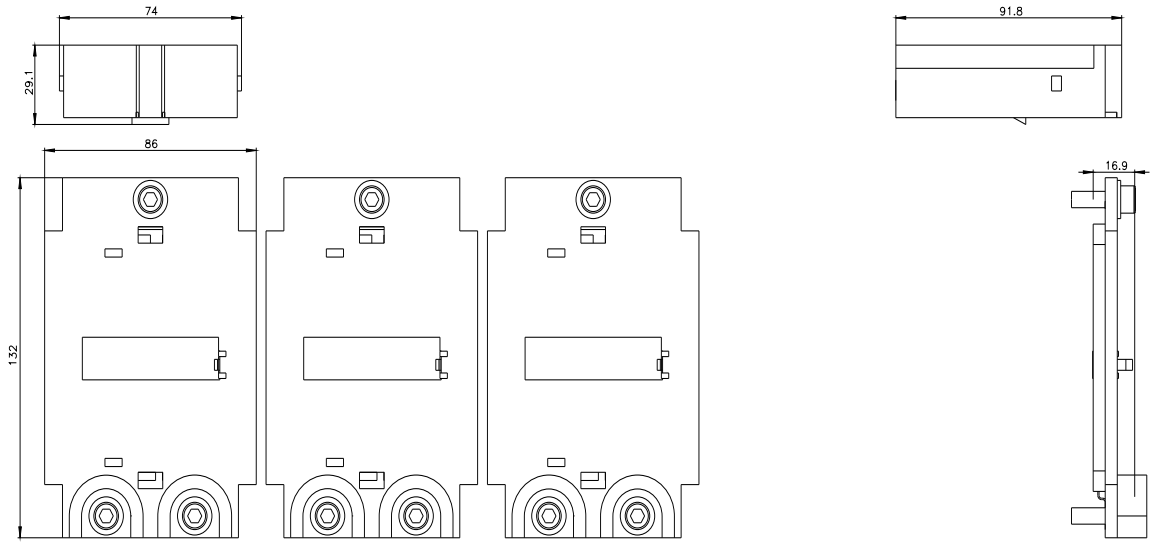
https://www.automation.siemens.com/bilddb/cax_en.aspx?mlfb=3WA9111-0EK51

CAx-Online-Generator

<https://www.siemens.com/cax>

Tender specifications

<https://www.siemens.com/specifications>



last modified:

4/13/2025 

