



Vertical Connect. (top/bottom), for circuit breakers fixed mounted, Frame Size 1, for 3WA2 breaking capacity class N, In = 800-1200A, for 3WA3 breaking capacity class N, In = 800-2000A, 1 piece

| Model | |
|--------------------------|---------|
| product brand name | SENTRON |
| Net Weight | 0.95 kg |
| Approvals Certificates | |
| General Product Approval | EMV |
| Test Certificates | other |

[Confirmation](#)



[Type Test Certificates/Test Report](#)

[Miscellaneous](#)

[Confirmation](#)

other



Further information

Information on the packaging

<https://support.industry.siemens.com/cs/ww/en/view/109813875>

Information for data generation and storage

<https://support.industry.siemens.com/cs/ww/en/view/109995012>

Information- and Downloadcenter (Catalogs, Brochures,...)

<https://www.siemens.com/lowvoltage/catalogs>

Industry Mall (Online ordering system)

<https://mall.industry.siemens.com/mall/en/en/Catalog/product?mlfb=3WA9111-1AJ10>

Service&Support (Manuals, Certificates, Characteristics, FAQs,...)

<https://support.industry.siemens.com/cs/ww/en/ps/3WA9111-1AJ10>

Image database (product images, 2D dimension drawings, 3D models, device circuit diagrams, ...)

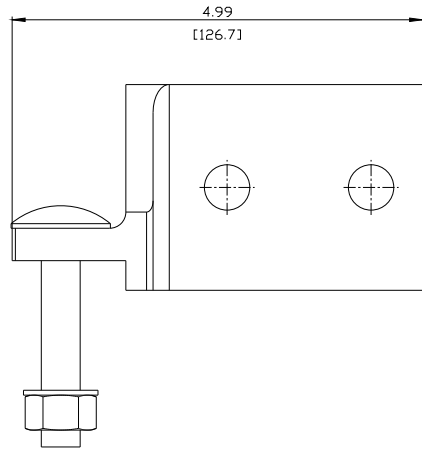
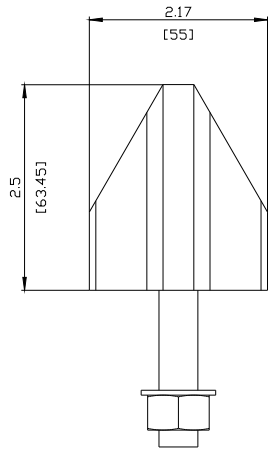
https://www.automation.siemens.com/bilddb/cax_en.aspx?mlfb=3WA9111-1AJ10

CAX-Online-Generator

<https://www.siemens.com/cax>

Tender specifications

<https://www.siemens.com/specifications>



last modified:

10/18/2025 

