

Vertical Connect. (top/bottom), for circuit breakers fixed mounted, Frame Size x, for 3WA2 breaking capacity class N, In = 1600-2000A, for 3WA2 breaking capacity class S / H / E, In = 800-2000A, for 3WA3 breaking capacity class N, In = 1600-2000A, for 3WA3 breaking capacity class S / E, In = 800-2000A, 1 piece

Model	
product brand name	SENTRON
Net Weight	1.234 kg
Approvals Certificates	
General Product Approval	EMV
Test Certificates	



[Confirmation](#)



[Type Test Certificates/Test Report](#)

[Miscellaneous](#)

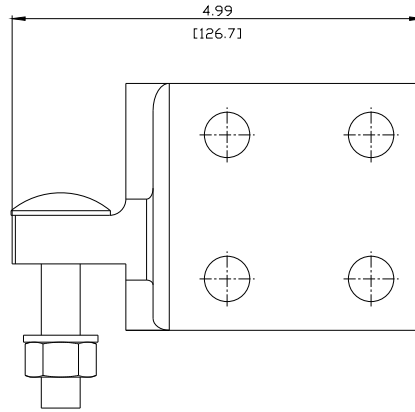
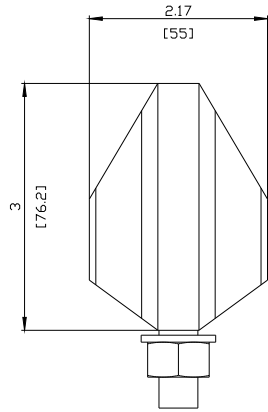
other

[Confirmation](#)



Further information

- Information on the packaging  
<https://support.industry.siemens.com/cs/ww/en/view/109813875>
- Information for data generation and storage  
<https://support.industry.siemens.com/cs/ww/en/view/109995012>
- Information- and Downloadcenter (Catalogs, Brochures,...)  
<https://www.siemens.com/lowvoltage/catalogs>
- Industry Mall (Online ordering system)  
<https://mall.industry.siemens.com/mall/en/en/Catalog/product?mlfb=3WA9111-1AJ11>
- Service&Support (Manuals, Certificates, Characteristics, FAQs,...)  
<https://support.industry.siemens.com/cs/ww/en/ps/3WA9111-1AJ11>
- Image database (product images, 2D dimension drawings, 3D models, device circuit diagrams, ...)  
[https://www.automation.siemens.com/bilddb/cax\\_en.aspx?mlfb=3WA9111-1AJ11](https://www.automation.siemens.com/bilddb/cax_en.aspx?mlfb=3WA9111-1AJ11)
- CAX-Online-Generator  
<https://www.siemens.com/cax>
- Tender specifications  
<https://www.siemens.com/specifications>



---

last modified:

10/18/2025 

