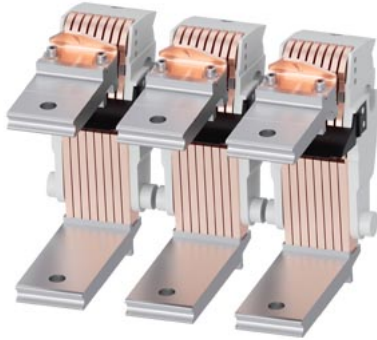


Main contact system for circuit breakers fixed mounted and withdrawable, Frame Size 1, 3-pole, for 3WA2 breaking capacity class N / S, In = 2000A, for 3WA3 breaking capacity class N / S, In = 2000A, 3 pieces



Model

product brand name	SENTRON
Net Weight	8.063 kg

Approvals Certificates

General Product Approval	EMV	Test Certificates
--------------------------	-----	-------------------



[Confirmation](#)



[Type Test Certificates/Test Report](#)

Test Certificates	Maritime application	other
-------------------	----------------------	-------

[Miscellaneous](#)

[Special Test Certificate](#)



[Confirmation](#)



Further information

Information on the packaging

<https://support.industry.siemens.com/cs/ww/en/view/109813875>

Information for data generation and storage

<https://support.industry.siemens.com/cs/ww/en/view/109995012>

Information- and Downloadcenter (Catalogs, Brochures,...)

<https://www.siemens.com/lowvoltage/catalogs>

Industry Mall (Online ordering system)

<https://mall.industry.siemens.com/mall/en/en/Catalog/product?mlfb=3WA9111-1AQ32>

Service&Support (Manuals, Certificates, Characteristics, FAQs,...)

<https://support.industry.siemens.com/cs/ww/en/ps/3WA9111-1AQ32>

Image database (product images, 2D dimension drawings, 3D models, device circuit diagrams, ...)

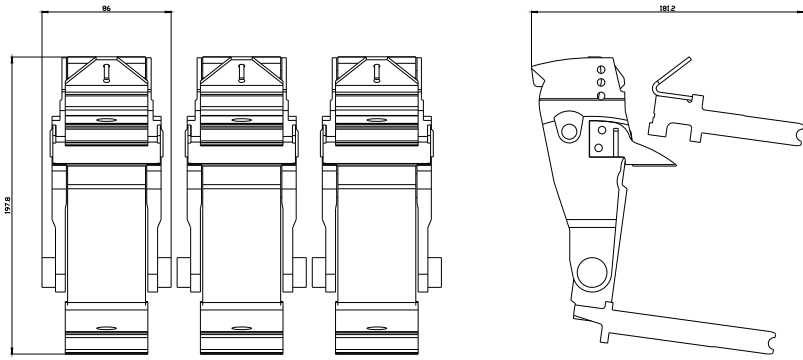
https://www.automation.siemens.com/bilddb/cax_en.aspx?mlfb=3WA9111-1AQ32

CAX-Online-Generator

<https://www.siemens.com/cax>

Tender specifications

<https://www.siemens.com/specifications>



last modified:

10/18/2025 

