






Arc Chute for circuit breakers fixed mounted and withdrawable, Frame Size 2, for 3WA2 breaking capacity class, S / H, In = 800-3000A, for 3WA3 breaking capacity class N / S / M, In = 800-3200A, 1 piece

Model			
product brand name	SENTRON		
Net Weight	1.792 kg		
Approvals Certificates			
General Product Approval	EMV	Test Certificates	
 EG-Konf.	Confirmation		 RCM
		Type Test Certificates/Test Report	Special Test Certificate
Test Certificates	Maritime application	other	Dangerous goods
Miscellaneous		Confirmation	 产品合格 QC PASS
			Dangerous goods information
Further information			

Information on the packaging
<https://support.industry.siemens.com/cs/ww/en/view/109813875>

Information for data generation and storage
<https://support.industry.siemens.com/cs/ww/en/view/109995012>

Information- and Downloadcenter (Catalogs, Brochures,...)
<https://www.siemens.com/lowvoltage/catalogs>

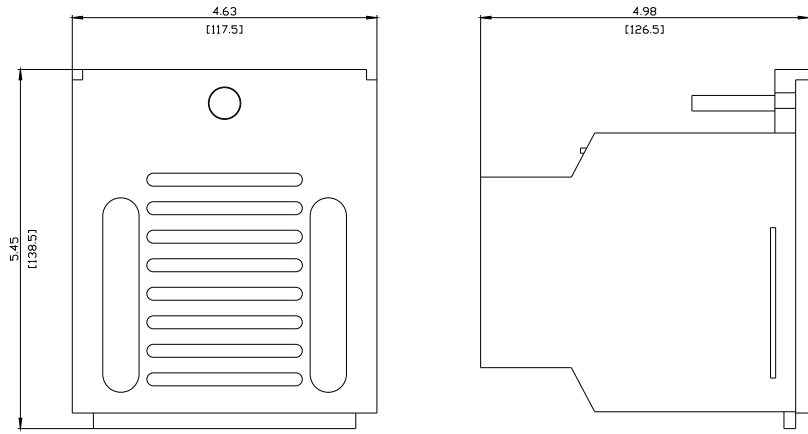
Industry Mall (Online ordering system)
<https://mall.industry.siemens.com/mall/en/en/Catalog/product?mlfb=3WA9111-1AS10>

Service&Support (Manuals, Certificates, Characteristics, FAQs,...)
<https://support.industry.siemens.com/cs/ww/en/ps/3WA9111-1AS10>

Image database (product images, 2D dimension drawings, 3D models, device circuit diagrams, ...)
https://www.automation.siemens.com/bilddb/cax_en.aspx?mlfb=3WA9111-1AS10

CAX-Online-Generator
<https://www.siemens.com/cax>

Tender specifications
<https://www.siemens.com/specifications>



last modified:

10/18/2025 

