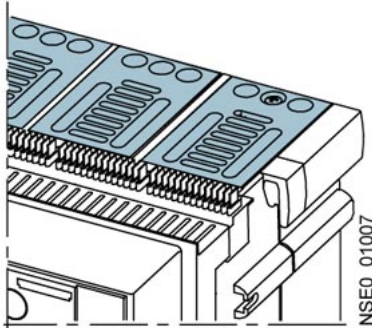


accessories circuit breaker 3WL arc chute size I, for 690V



Model		
product brand name	SENTRON	
product designation	Accessories for 3WL circuit breaker	
design of the product	Arc chute size 1	
Accessories		
accessories	other	
Mechanical Design		
Net Weight	1.11 kg	
Approvals Certificates		
General Product Approval	Test Certificates	other



[Confirmation](#)



[Miscellaneous](#)



other	Environment
Confirmation	Environmental Confirmations
	Environmental Confirmations

Further information

- Information on the packaging
<https://support.industry.siemens.com/cs/ww/en/view/109813875>
- Information for data generation and storage
<https://support.industry.siemens.com/cs/ww/en/view/109995012>
- Information- and Downloadcenter (Catalogs, Brochures,...)
<https://www.siemens.com/lowvoltage/catalogs>
- Industry Mall (Online ordering system)
<https://mall.industry.siemens.com/mall/en/en/Catalog/product?mifb=3WL9111-0AS01-0AA0>
- Service&Support (Manuals, Certificates, Characteristics, FAQs,...)
<https://support.industry.siemens.com/cs/ww/en/ps/3WL9111-0AS01-0AA0>
- Image database (product images, 2D dimension drawings, 3D models, device circuit diagrams, ...)
https://www.automation.siemens.com/bilddb/cax_en.aspx?mifb=3WL9111-0AS01-0AA0
- CAX-Online-Generator
<https://www.siemens.com/cax>
- Tender specifications
<https://www.siemens.com/specifications>

last modified:

5/24/2025 

