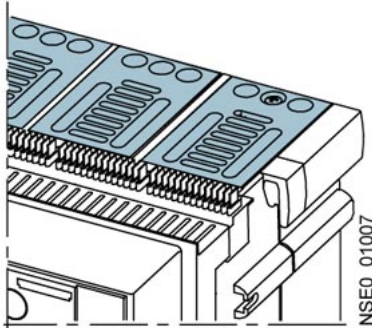


accessories circuit breaker 3WL arc chute size III, for 1000V



Model		
product brand name	SENTRON	
product designation	Accessories for 3WL circuit breaker	
design of the product	Arc chute size 3	
Accessories		
accessories	other	
Mechanical Design		
Net Weight	5.62 kg	
Approvals Certificates		
General Product Approval	Test Certificates	other

[Confirmation](#)



EG-Konf.



[Miscellaneous](#)

[Confirmation](#)

other

Environment



[Environmental Con-  
firmations](#)

[Environmental Con-  
firmations](#)

## Further information

Information on the packaging

<https://support.industry.siemens.com/cs/ww/en/view/109813875>

Information for data generation and storage

<https://support.industry.siemens.com/cs/ww/en/view/109995012>

Information- and Downloadcenter (Catalogs, Brochures,...)

<https://www.siemens.com/lowvoltage/catalogs>

Industry Mall (Online ordering system)

<https://mall.industry.siemens.com/mall/en/en/Catalog/product?mifb=3WL9111-0AS06-0AA0>

Service&Support (Manuals, Certificates, Characteristics, FAQs,...)

<https://support.industry.siemens.com/cs/ww/en/ps/3WL9111-0AS06-0AA0>

Image database (product images, 2D dimension drawings, 3D models, device circuit diagrams, ...)

[https://www.automation.siemens.com/bilddb/cax\\_en.aspx?mifb=3WL9111-0AS06-0AA0](https://www.automation.siemens.com/bilddb/cax_en.aspx?mifb=3WL9111-0AS06-0AA0)

CAX-Online-Generator

<https://www.siemens.com/cax>

Tender specifications

<https://www.siemens.com/specifications>

---

last modified:

5/24/2025 

