



current transformer 50/1 A, 1.2 VA, Cl. 1.0

Model	
product brand name	SETRON
product designation	Current transformer
design of the product	Bushing-type current transformers
product quality calibrated	No
size of the current transformer	1
operating apparent power rated value	1.2 VA
operating voltage	0.72 kV
insulation voltage rated value	3 kV
designation of overcurrent limiting factor	FS 5
operational current rated value maximum	60 A
current	
• at input rated value	50 A
• at output rated value	1 A
accuracy class of the current transformer	class 1
value range of the operating frequency	50/60 Hz
Protection class	
protection class IP	IP20
suitability for use for outside use	No
suitability for use for interior use	Yes
product feature touch protection	Yes
Connections	
type of electrical connection at output	screw-type terminals
Mechanical Design	
height	75 mm
height of the opening	10 mm
width	60 mm
width of the push-through bus bar	
• at 1 bus bar maximum	20 mm
• in case of 2 bus bars maximum	20 mm
depth	55 mm
fastening method	screw fixing
diameter of inlet opening	19 mm
outer diameter of the push-through conductor maximum	19 mm
Net Weight	427 g
Environmental conditions	
ambient temperature during operation	
• minimum	-30 °C
• maximum	55 °C

ambient temperature during storage

- minimum
- maximum

-30 °C
70 °C

Approvals Certificates

General Product Approval	other	Environment
--------------------------	-------	-------------



[Confirmation](#)

[Environmental Confirmations](#)

Further information

Information on the packaging

<https://support.industry.siemens.com/cs/ww/en/view/109813875>

Information for data generation and storage

<https://support.industry.siemens.com/cs/ww/en/view/109995012>

Information- and Downloadcenter (Catalogs, Brochures,...)

<https://www.siemens.com/lowvoltage/catalogs>

Industry Mall (Online ordering system)

<https://mall.industry.siemens.com/mall/en/en/Catalog/product?mlfb=4NC5112-0CB21>

Service&Support (Manuals, Certificates, Characteristics, FAQs,...)

<https://support.industry.siemens.com/cs/ww/en/ps/4NC5112-0CB21>

Image database (product images, 2D dimension drawings, 3D models, device circuit diagrams, ...)

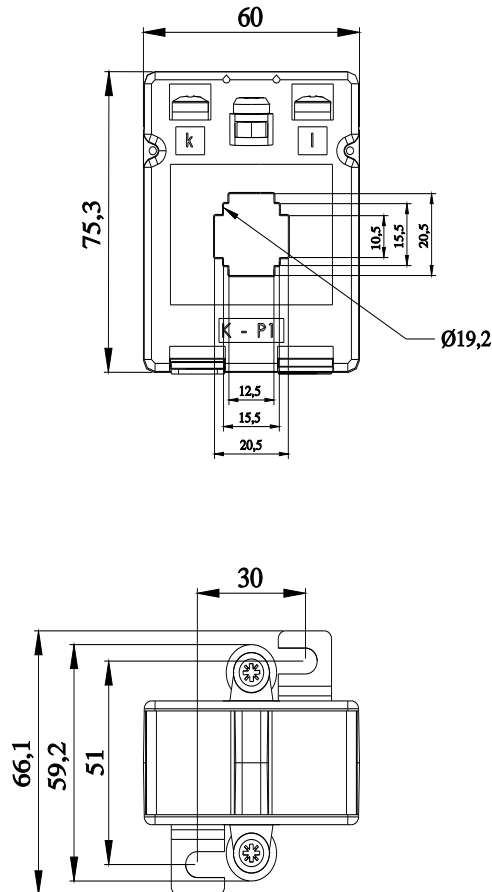
https://www.automation.siemens.com/bilddb/cax_en.aspx?mlfb=4NC5112-0CB21

CAX-Online-Generator

<https://www.siemens.com/cax>

Tender specifications

<https://www.siemens.com/specifications>



last modified:

4/15/2025

