



SILIZED fuse link 500 V for semiconductor protection Quick-acting, size DIVH, R1 1/4", 80A

Figure similar

Model	
product brand name	SENTRON
design of the product	for semiconductor protection
design of the fuse link	SILIZED fuse link, DIAZED design
General technical data	
tripping characteristic class	quick-acting (FE)
size of fuse system according to EN 60269-1	DIV
operating class of the fuse link	gR
Supply voltage	
supply voltage	
• at AC	500 V
• at DC	500 V
Protection class	
protection class IP	IP20, with connected conductors
Breaking Capacity	
switching capacity current	
• at AC according to IEC 60947-2 rated value	50 kA
• at DC according to IEC 60947-2 rated value	8 kA
Dissipation	
power loss [W]	34.3 W
power loss [W] for rated value of the current at AC in hot operating state per pole	34.3 W
Appearance	
color coding of the fuse link	others
Product details	
product description	Using screw adapter or adapter sleeves
Mechanical Design	
mounting position	Any, preferably vertical
Net Weight	116 g
Environmental conditions	
ambient temperature during operation	
• minimum	-5 °C
• maximum	40 °C
environmental category	Up to 45°C at 95 % rel. humidity
environmental category during storage	air humidity 90% at 20°C
Approvals Certificates	
General Product Approval	other

Environment

[Environmental Con-
firmations](#)[Environmental Con-
firmations](#)

Further information

Information on the packaging

<https://support.industry.siemens.com/cs/ww/en/view/109813875>

Information for data generation and storage

<https://support.industry.siemens.com/cs/ww/en/view/109995012>

Information- and Downloadcenter (Catalogs, Brochures,...)

<https://www.siemens.com/lowvoltage/catalogs>

Industry Mall (Online ordering system)

<https://mall.industry.siemens.com/mall/en/en/Catalog/product?mlfb=5SD510>

Service&Support (Manuals, Certificates, Characteristics, FAQs,...)

<https://support.industry.siemens.com/cs/ww/en/ps/5SD510>

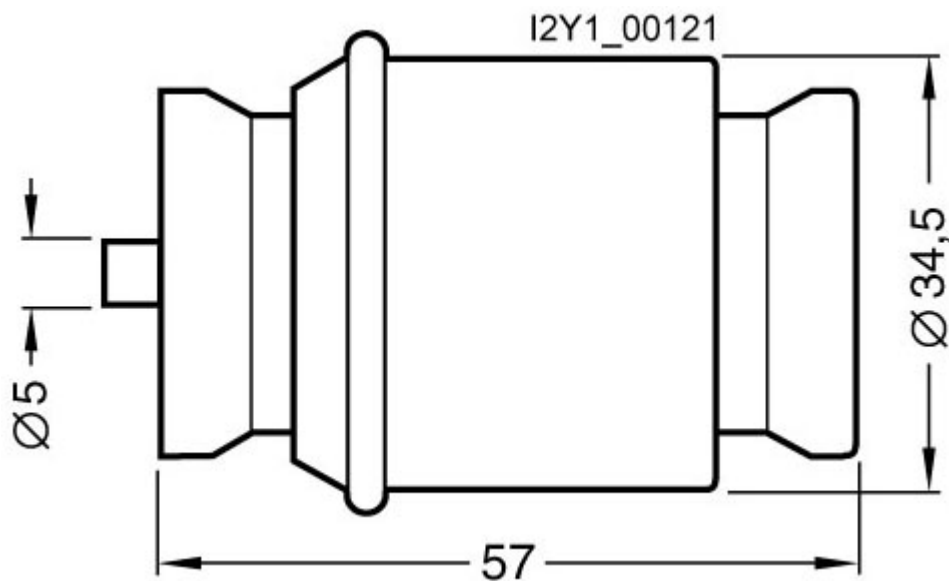
Image database (product images, 2D dimension drawings, 3D models, device circuit diagrams, ...)

https://www.automation.siemens.com/bilddb/cax_en.aspx?mlfb=5SD510

CAx-Online-Generator

<https://www.siemens.com/cax>

Tender specifications

<https://www.siemens.com/specifications>

last modified:

5/26/2025

