



NEOZED, fuse base, D02, 1-pole, 63 A, Un AC: 400 V, Un DC: 250 V with LED signal detector with frame terminal

Model	
product brand name	SENTRON
design of the product	NEOZED fuse base installation
General technical data	
number of poles	1
size of fuse system according to EN 60269-1	D02
Supply voltage	
operating voltage rated value	400 V
Dissipation	
power loss [W] for rated value of the current at AC in hot operating state per pole	1 W
Main circuit	
operational current rated value	63 A
Product details	
product component cover	Yes
Mechanical Design	
height	67 mm
width	27 mm
depth	55 mm
fastening method	DIN rail
Net Weight	
material of D fuse base	plastic

Approvals Certificates	
General Product Approval	other

[Confirmation](#)



other		Environment	
-------	--	-------------	--

[Confirmation](#)

[Environmental Con-
firmations](#)

[Environmental Con-
firmations](#)

Further information	
---------------------	--

Information on the packaging

<https://support.industry.siemens.com/cs/ww/en/view/109813875>

Information for data generation and storage

<https://support.industry.siemens.com/cs/ww/en/view/109995012>

Information- and Downloadcenter (Catalogs, Brochures,...)

<https://www.siemens.com/lowvoltage/catalogs>

Industry Mall (Online ordering system)

<https://mall.industry.siemens.com/mall/en/en/Catalog/product?mlfb=5SG1702-1>

Service&Support (Manuals, Certificates, Characteristics, FAQs,...)

<https://support.industry.siemens.com/cs/ww/en/ps/5SG1702-1>

Image database (product images, 2D dimension drawings, 3D models, device circuit diagrams, ...)

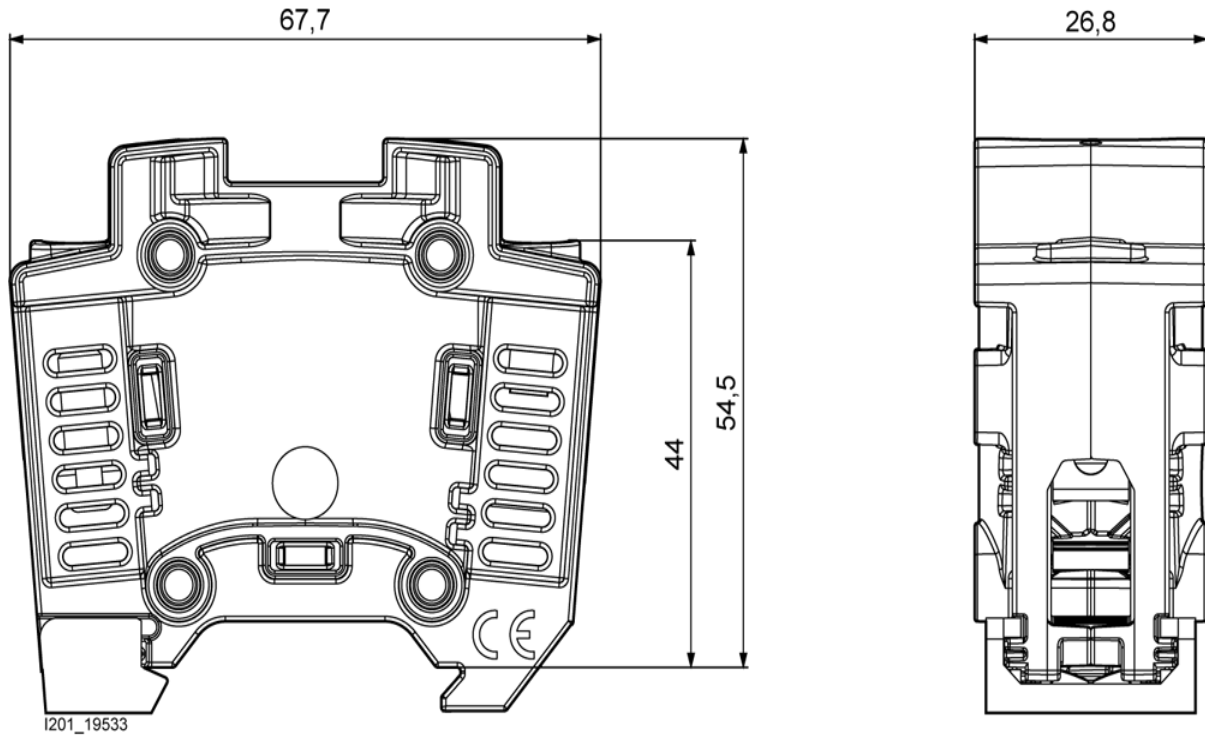
https://www.automation.siemens.com/bilddb/cax_en.aspx?mlfb=5SG1702-1

CAX-Online-Generator

<https://www.siemens.com/cax>

Tender specifications

<https://www.siemens.com/specifications>



last modified:

11/19/2025

